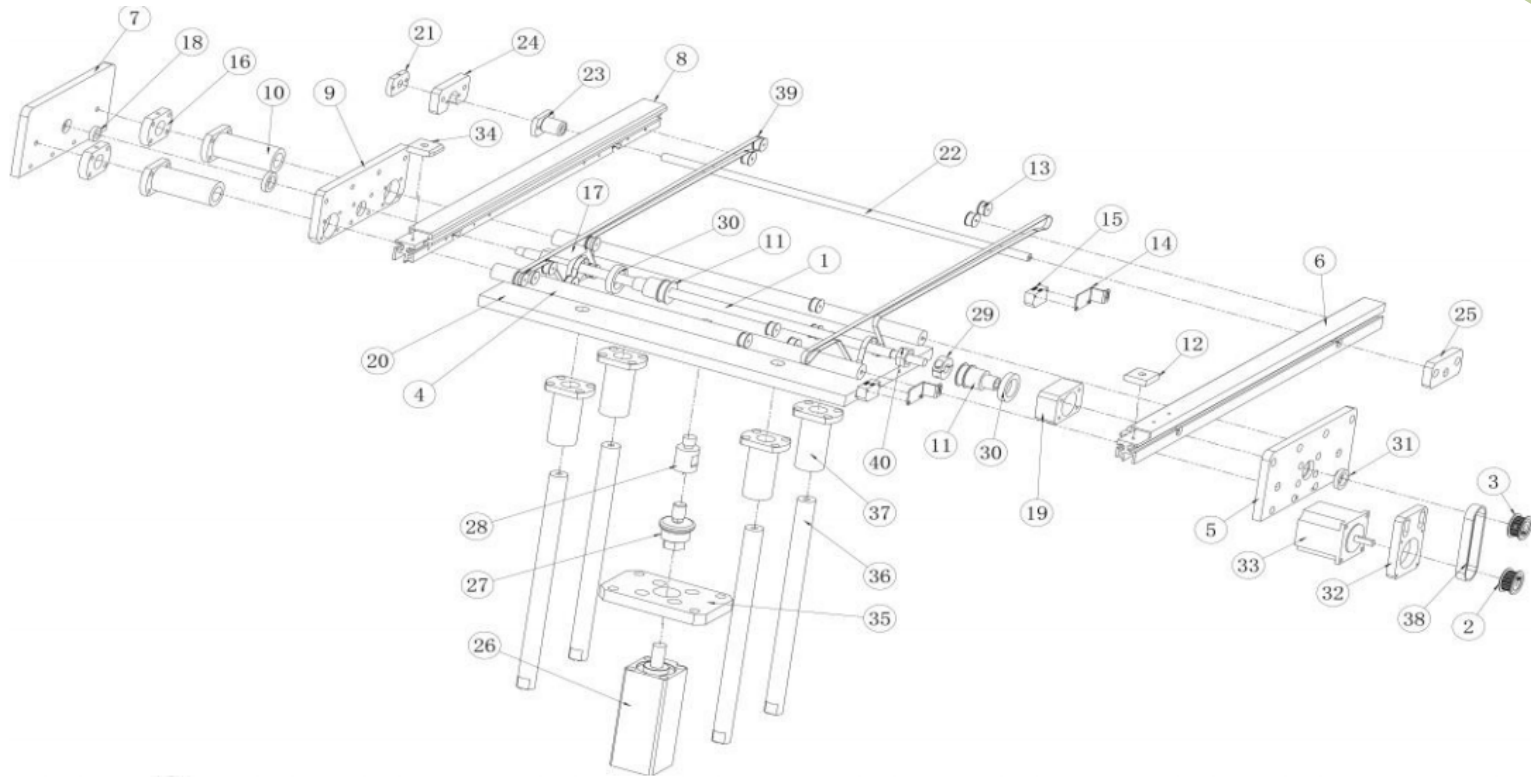


Machine Structure



Left Elevator

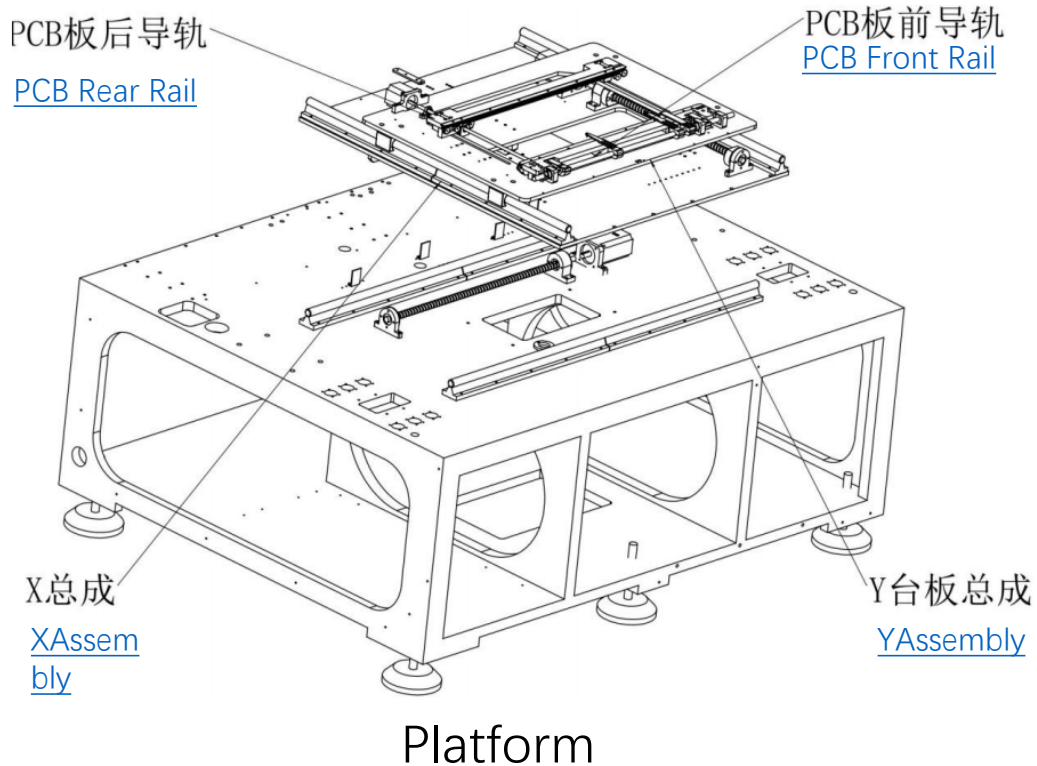
[Top](#)

Item	P/N	Chinese Name	English Name	Country	Price	Picture
1	3800-12-SJTZB-01	传动轴	transmission shaft			
2	3800-12-SJTZB-02	IST 右同步轮-01	Right sync wheel			
3	3800-12-SJTZB-03	同步轮	Sync wheels			
4	3800-12-SJTZB-04	20 光轴	20 Axis			
5	3800-12-SJTZB-05	左前花铝固定板改	Left front aluminum fixing plate			
6	3800-12-SJTZB-06	左前花铝改	Left front aluminum			
7	3800-12-SJTZB-07	左后花铝固定板改	Left rear aluminum fixing plate			
8	3800-12-SJTZB-08	左后花铝改	Left rear aluminum			
9	3800-12-SJTZB-09	左宽度调节板	Left width adjustment plate			
10	3800-12-SJTZB-10	法兰 LM20UU	flange LM20UU			

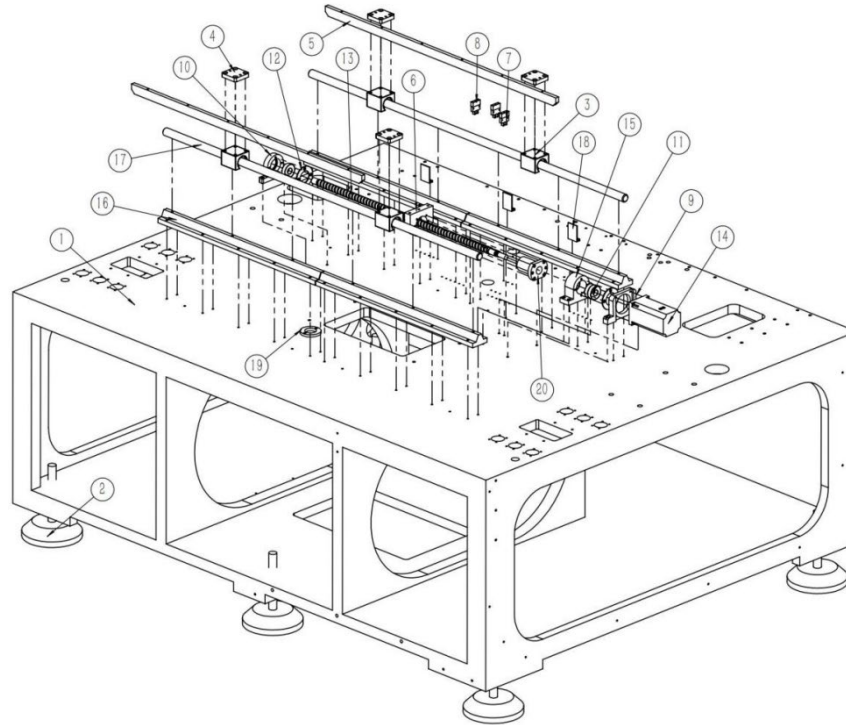
Item	P/N	Chinese Name	English Name	Country	Price	Picture
11	3800-12-SJTZB-11	后旋转轮 A	Rear rotating wheel A			
12	3800-12-SJTZB-12	IST-赛钢-01	Steel			
13	3800-12-SJTZB-13	小皮带轮	Small pulleys			
14	3800-12-SJTZB-14	IST-感应座子 01	Induction seat			
15	3800-12-SJTZB-15	感应器 02	Sensor CX-424			
16	3800-12-SJTZB-16	IST-法兰垫块-01	Flange pads			
17	3800-12-SJTZB-17	皮带轮垫高块	Pulley cushion height block			
18	3800-12-SJTZB-18	轴承 61800	Bear 61800			
19	3800-12-SJTZB-19	皮带轮垫高块 B	Pulley cushion height block B			
20	3800-12-SJTZB-20	左轨道支撑板	Left track support plate			

Item	P/N	Chinese Name	English Name	Country	Price	Picture
21	3800-12-SJTZB-21	光轴限位块	Shaft limit block			
22	3800-12-SJTZB-22	直径 10 光轴	Diameter 10 shafts			
23	3800-12-SJTZB-23	LHFCD10 (LMH6-13)	LHFCD10 (LMH6-13)			
24	3800-12-SJTZB-24	轴套固定板	Bushing fixing plate			
25	3800-12-SJTZB-25	轴套固定板 B	Bushing fixing plate B			
26	3800-12-SJTZB-26	气缸 SDAS40-75-B	cylinder			
27	3800-12-SJTZB-27	JS40-14-150(0)	JS40-14-150(0)			
28	3800-12-SJTZB-28	汽缸加长杆	Cylinder extension rod			
29	3800-12-SJTZB-29	直径 12 抱紧圈	Diameter 12 holding rings			
30	3800-12-SJTZB-30	61805 轴承 25 37	Bear 61805			

Item	P/N	Chinese Name	English Name	Country	Price	Picture
31	3800-12-SJTZB-31	轴承 61803 17 26 5	Bear 61803			
32	3800-12-SJTZB-32	马达安装座	Motor mount			
33	3800-12-SJTZB-33	珩源马达 57BYG250B	Motor 57BYG250B			
34	3800-12-SJTZB-34	IST-赛钢-01	Steel			
35	3800-12-SJTZB-35	底座气缸安装板	Base cylinder mounting plate			
36	3800-12-SJTZB-36	20 升降光轴	20 lifting shafts			
37	3800-12-SJTZB-37	法兰 LM20UUY	Flange LM20UUY			
38	3800-12-SJTZB-38	皮带 1-3	Belt 1-3			
39	3800-12-SJTZB-39	皮带 2 左升降台 4 轴	Belt2			
40	3800-12-SJTZB-40	M16 螺母	M16 Nut			



[Top](#)



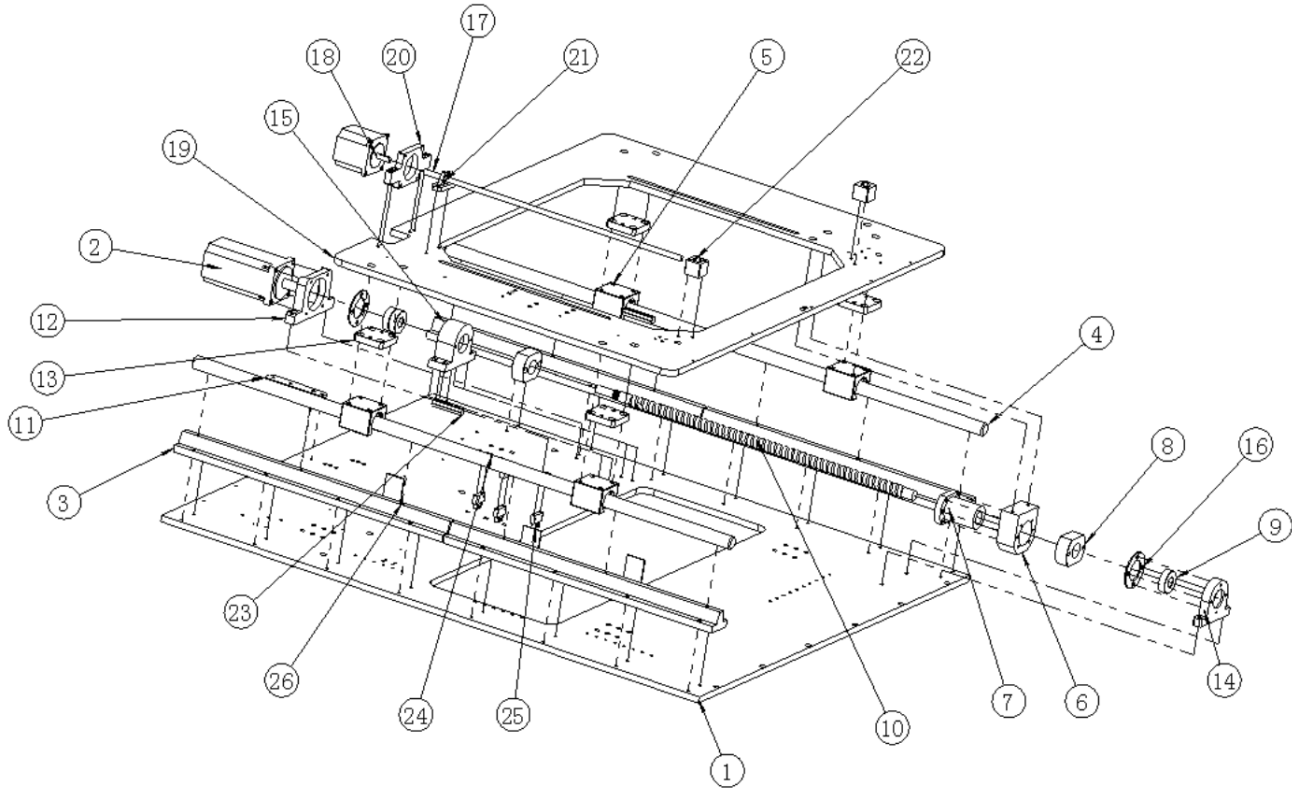
Platform-  
X Assembly

[Top](#)



Item	P/N	Chinese Name	English Name	Country	Price	Picture
1	3800-12-GZT-XTB-01	底座-1	Base-1			
2	3800-12-GZT-XTB-02	地脚 20	Anchor20			
3	3800-12-GZT-XTB-03	平台滑块	Platform slider			
4	3800-12-GZT-XTB-04	3800S 滑块垫块	3800S slider pad			
5	3800-12-GZT-XTB-05	Y 台板加固板	Y-platen reinforcement plate			
6	3800-12-GZT-XTB-06	X 丝杆螺母套	X screw nut sleeve			
7	3800-12-GZT-XTB-07	SX670	SX670			
8	3800-12-GZT-XTB-08	感应器座子	Sensor mount			
9	3800-12-GZT-XTB-09	X平台马达固定座	X-stage motor mount			
10	3800-12-GZT-XTB-10	X 丝杆轴承座	X screw housing			

Item	P/N	Chinese Name	English Name	Country	Price	Picture
11	3800-12-GZT-XTB-11	轴承 6202	Bear 6202			
12	3800-12-GZT-XTB-12	轴承盖	Bearing covers			
13	3800-12-GZT-XTB-13	3800SX 丝杆	3800SX Screw			
14	3800-12-GZT-XTB-14	400W 马达	400W Motor			
15	3800-12-GZT-XTB-15	IST-X 轴承固定座	IST-X Bearing mounts			
16	3800-12-GZT-XTB-16	X 光轴支架	X shaft holder			
17	3800-12-GZT-XTB-17	20 硬质光轴	20 Hard shaft			
18	3800-12-GZT-XTB-18	XY 极限感应片	XY Limit sensing sheets			
19	3800-12-GZT-XTB-19	黑色铁氟龙	Black Teflon			
20	3800-12-GZT-XTB-20	sfs2010-3.8 螺母	sfs2010-3.8 Nut			



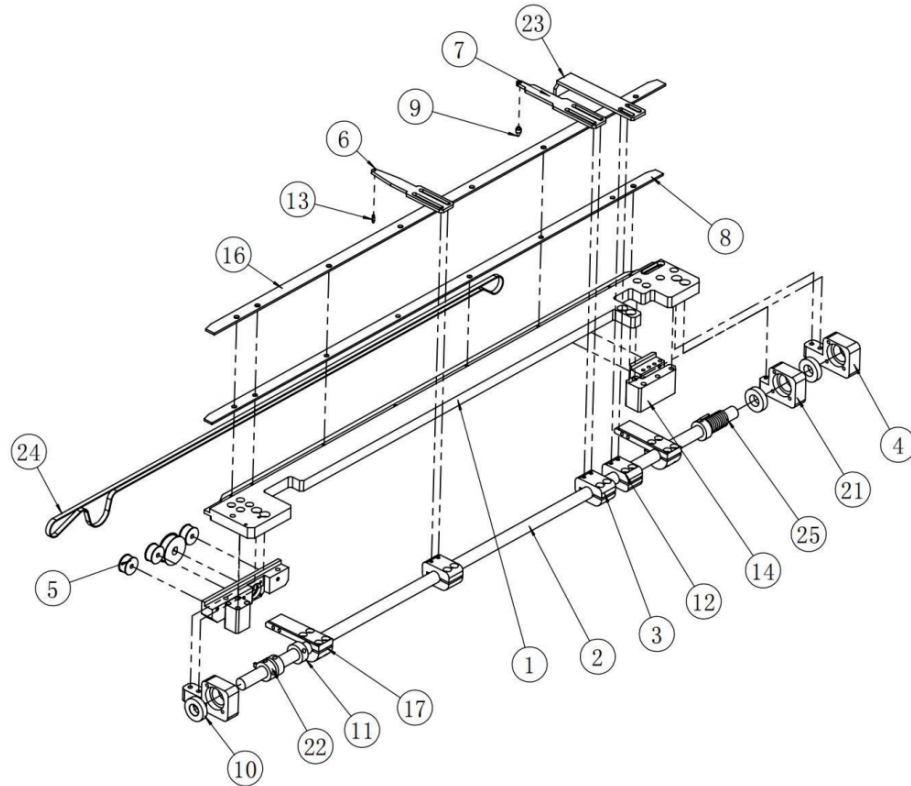
Platform-Y Assembly

[Top](#)

Item	P/N	Chinese Name	English Name	Country	Price	Picture
1	3800-12-GZT-YTB-01	3800SY 工作台板	3800SY Workbench plate			
2	3800-12-GZT-YTB-02	400W 马达	400W Motor			
3	3800-12-GZT-YTB-03	导轨 2 底座	Rail 2 base			
4	3800-12-GZT-YTB-04	导轨 2	Rail 2			
5	3800-12-GZT-YTB-05	平台滑块	Platform slider			
6	3800-12-GZT-YTB-06	Y 丝杆螺母套	Y-screw nut sleeve			
7	3800-12-GZT-YTB-07	sfs2010-3.8 螺母	sfs2010-3.8 Nut			
8	3800-12-GZT-YTB-08	Y 缓冲胶	Y buffer glue			
9	3800-12-GZT-YTB-09	轴承 6202	Bear 6202			
10	3800-12-GZT-YTB-10	Y 平台丝杠	Y-platform lead screw			



Item	P/N	Chinese Name	English Name	Country	Price	Picture
11	3800-12-GZT-YTB-11	拖链安装板	e-chain® mounting plates			
12	3800-12-GZT-YTB-12	X 平台马达固定座	X-stage motor mount			
13	3800-12-GZT-YTB-13	3800S 滑块垫块	3800S slider pad			
14	3800-12-GZT-YTB-14	X 丝杆轴承座 1	X screw housing 1			
15	3800-12-GZT-YTB-15	IST-X 轴承固定座	IST-X bearing mounts			
16	3800-12-GZT-YTB-16	轴承盖	Bearing covers			
17	3800-12-GZT-YTB-17	传动光轴 8	Drive shaft 8			
18	3800-12-GZT-YTB-18	珩源马达 57BYG250B	Motor 57BYG250B			
19	3800-12-GZT-YTB-19	3800S 工作台板	3800S bench plate			
20	3800-12-GZT-YTB-20	电机固定板	Motor fixing plate			

Item	P/N	Chinese Name	English Name	Country	Price	Picture
21	3800-12-GZT-YTB-21	皮带轴承安装架	Belt bearing mount			
22	3800-12-GZT-YTB-22	SDA12-5	SDA12-5			
23	3800-12-GZT-YTB-23	宽度调节螺母条	Width adjustment nut strip			
24	3800-12-GZT-YTB-24	感应器座子	Sensor mount			
25	3800-12-GZT-YTB-25	SX670	SX670			
26	3800-12-GZT-YTB-26	XY 极限感应片	XY limit sensing sheet			




Platform-PCB Front Rail Assembly

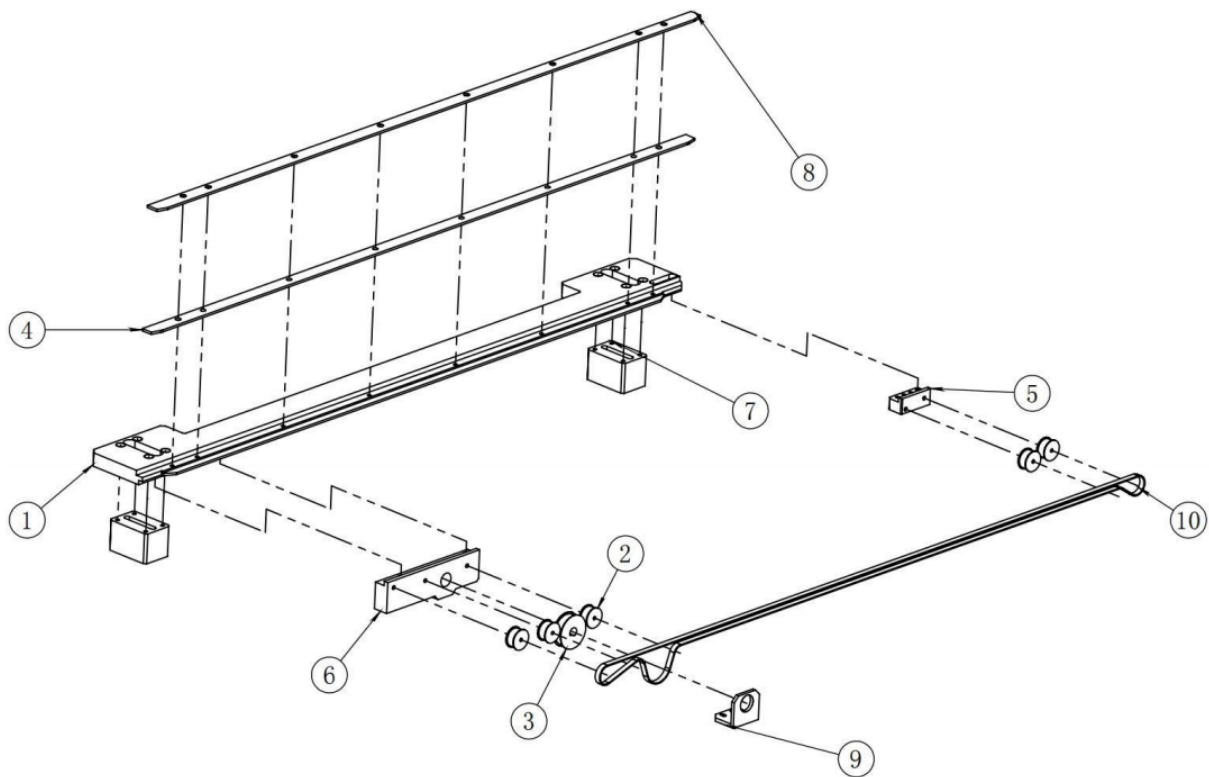
[Top](#)

Item	P/N	Chinese Name	English Name	Country	Price	Picture
1	3800-12-GZT-QDG-01	前导板 A	Front guide A			
2	3800-12-GZT-QDG-02	12 光轴	12 Shaft			
3	3800-12-GZT-QDG-03	夹块 4/定位勾安装块	Clamp block 4			
4	3800-12-GZT-QDG-04	夹块 B/光轴轴承固定座	Clamp block B			
5	3800-12-GZT-QDG-05	小皮带轮	Small pulleys			
6	3800-12-GZT-QDG-06	定位板..小孔 09	Positioning plate small holes			
7	3800-12-GZT-QDG-07	加长款定位片 110	Positioning piece 110			
8	3800-12-GZT-QDG-08	上不锈钢板..09	Stainless steel plate			
9	3800-12-GZT-QDG-09	定位 PIN--通用型	Alignment pins			
10	3800-12-GZT-QDG-10	轴承 6901..09	Bear 690109			



Item	P/N	Chinese Name	English Name	Country	Price	Picture
11	3800-12-GZT-QDG-11	抱紧圈.09	Hold tightly circle			
12	3800-12-GZT-QDG-12	IST-夹块 AA.09	Clamp block			
13	3800-12-GZT-QDG-13	转盘定位 PIN.09	Alignment pins			
14	3800-12-GZT-QDG-14	转盘轨道垫高块	Track cushion block			
15	3800-12-GZT-QDG-15	转盘轨道垫高块 B	Track cushion block B			
16	3800-12-GZT-QDG-16	下不锈钢板 A	Stainless steel plate A			
17	3800-12-GZT-QDG-17	翘起夹块.09	Clamp block 09			
18	3800-12-GZT-QDG-18	前皮带压紧轮安装板B.09	Front belt compression roller mounting plate B			
19	3800-12-GZT-QDG-19	小皮带轮	Small pulleys			
20	3800-12-GZT-QDG-20	皮带压紧安装板 B.09	The belt presses mounting plate B			

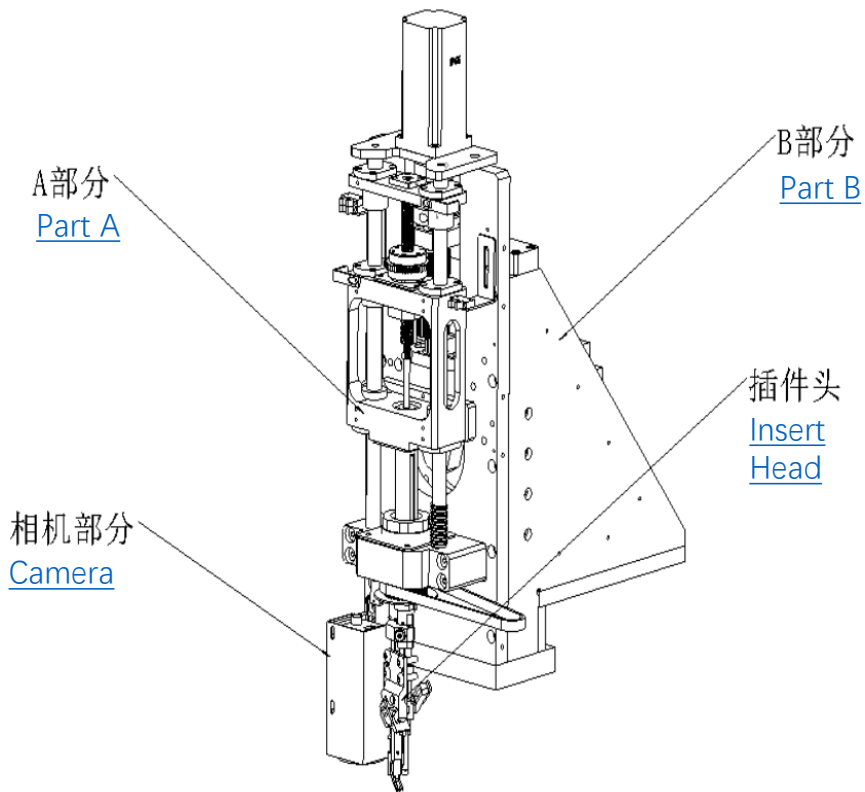
Item	P/N	Chinese Name	English Name	Country	Price	Picture
21	3800-12-GZT-QDG-21	夹块 2	Clamp block 2			
22	3800-12-GZT-QDG-22	定位轴抱紧圈(1)	Positioning Shaft Holding Ring(1)			
23	3800-12-GZT-QDG-23	挡板块	Baffle block			
24	3800-12-GZT-QDG-24	前导轨皮带-1	Front rail belt - 1			
25	3800-12-GZT-QDG-25	扭力弹簧	Torsion spring			



Platform-Rear Rail Assembly

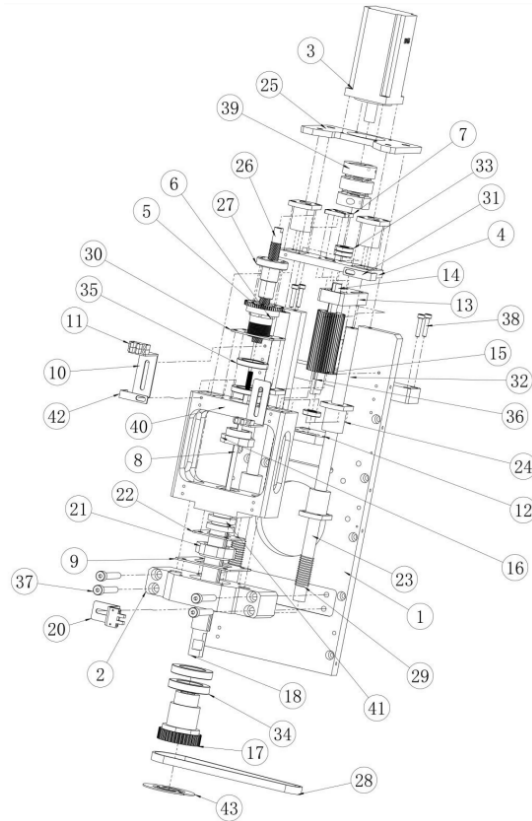
[Top](#)

Item	P/N	Chinese Name	English Name	Country	Price	Picture
1	3800-12-GZT-HDG-01	后导板 A.09	Rear guide A			
2	3800-12-GZT-HDG-02	小皮带轮.09	Small pulleys 09			
3	3800-12-GZT-HDG-03	小皮带轮	Small pulleys			
4	3800-12-GZT-HDG-04	下不锈钢板.09	Lower stainless steel plate 09			
5	3800-12-GZT-HDG-05	皮带压紧安装板 B.09	The belt presses the mounting plate B.09			
6	3800-12-GZT-HDG-06	皮带压紧轮安装板 B.09	The belt presses the mounting plate B.09			
7	3800-12-GZT-HDG-07	滑板锁块 B.09	Skateboard lock block B.09			
8	3800-12-GZT-HDG-08	下不锈钢板 A.	Stainless steel plate A			
9	3800-12-GZT-HDG-09	主动轮限位片	Active wheel limiter			
10	3800-12-GZT-HDG-10	后导轨皮带 -1	Rear rail belt -1			



Head Assembly


[Top](#)





Head Assembly -  
Part A

[Top](#)

Item	P/N	Chinese Name	English Name	Country	Price	Picture
1	3800-12-TB-ABF-01	顶部安装本体	The head mounts the body			
2	3800-12-TB-ABF-02	轴承座	Housing			
3	3800-12-TB-ABF-03	400W 马达	400W Motor			
4	3800-12-TB-ABF-04	推料丝杆固定板	Secure the plate			
5	3800-12-TB-ABF-05	Insert Head传动齿轮 2	Transmission gears			
6	3800-12-TB-ABF-06	推料丝杆座	Pusher screw holder			
7	3800-12-TB-ABF-07	推料丝杆固定块	Fixed block			
8	3800-12-TB-ABF-08	压料杆	Press bar			
9	3800-12-TB-ABF-09	Insert Head轴承盖板 1	Bearing covers			
10	3800-12-TB-ABF-10	压料轴感应架	Sensor stand			

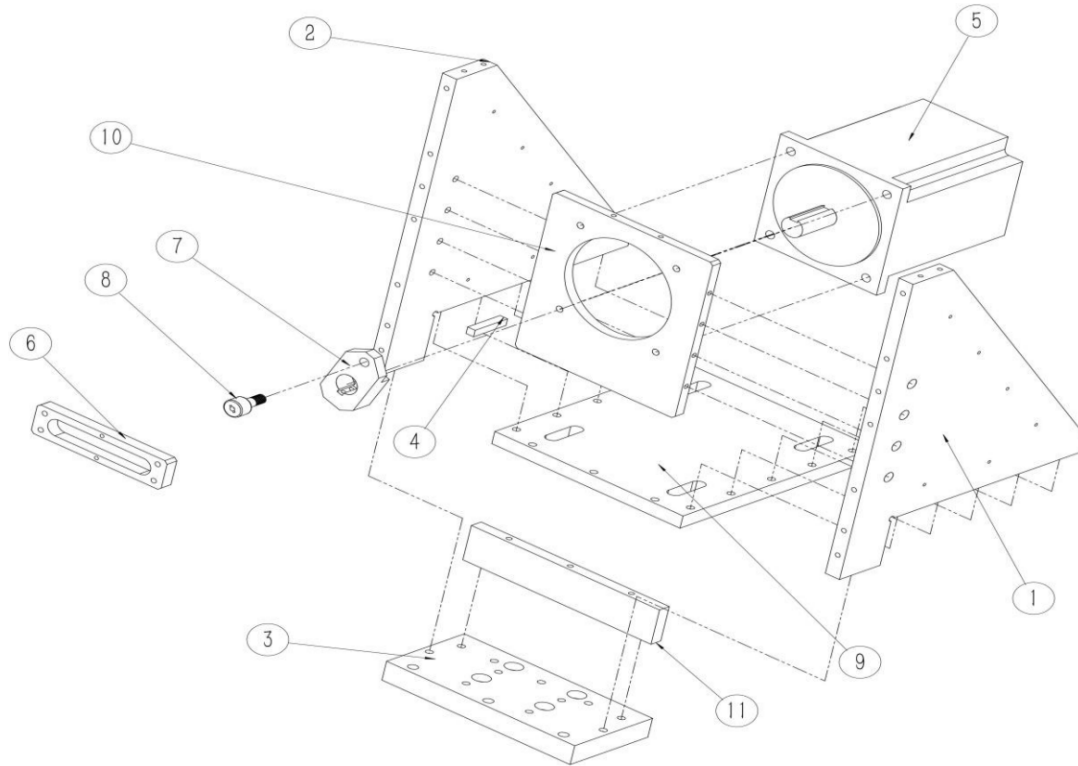
Item	P/N	Chinese Name	English Name	Country	Price	Picture
11	3800-12-TB-ABF-11	SX670	SX670			
12	3800-12-TB-ABF-12	压料齿轮轴承座	Housing			
13	3800-12-TB-ABF-13	压料轮安装座	Mount			
14	3800-12-TB-ABF-14	齿轮轴	Gear shafts			
15	3800-12-TB-ABF-15	Insert Head传动齿轮 1	Transmission gear 1			
16	3800-12-TB-ABF-16	推料丝杆座套	Lead screw seat cover			
17	3800-12-TB-ABF-17	旋转皮带轮	Rotate the pulley			
18	3800-12-TB-ABF-18	插件轴	Plug-in axes			
19	3800-12-TB-ABF-19	deep groove ball bearings gb	deep groove ball bearings gb			
20	3800-12-TB-ABF-20	感应片	Sensor sheets			



Item	P/N	Chinese Name	English Name	Country	Price	Picture
21	3800-12-TB-ABF-21	M35X1.5	M35X1.5			
22	3800-12-TB-ABF-22	Insert Head轴承盖板 2	Bearing covers 2			
23	3800-12-TB-ABF-23	16 光轴	16 Shaft			
24	3800-12-TB-ABF-24	LMH16	LMH16			
25	3800-12-TB-ABF-25	16 轴定位板	16-axis positioning plate			
26	3800-12-TB-ABF-26	14 齿丝杆	14 tooth screw			
27	3800-12-TB-ABF-27	14 齿丝杆座	14-toothed screw mount			
28	3800-12-TB-ABF-28	皮带 180XL-10	Belt 180XL-10			
29	3800-12-TB-ABF-29	弹簧 (18-1.1-6-100)	Spring			
30	3800-12-TB-ABF-30	Insert Head轴承盖板 4	Bearing cover plate 4			

Item	P/N	Chinese Name	English Name	Country	Price	Picture
31	3800-12-TB-ABF-31	压料轴感应片	Pressing shaft sensing plate			
32	3800-12-TB-ABF-32	压料轴承固定板	Pressed bearing fixing plate			
33	3800-12-TB-ABF-33	轴承 61901	Bear 61901			
34	3800-12-TB-ABF-34	61907	61907			
35	3800-12-TB-ABF-35	轴承 61806	Bear 61806			
36	3800-12-TB-ABF-36	键 (5-5-30)	Key(5-5-30)			
37	3800-12-TB-ABF-37	M8X55 螺丝	M8X55 Screw			
38	3800-12-TB-ABF-38	M5X25 螺丝	M5X25 Screw			
39	3800-12-TB-ABF-39	平台马达联轴器 (14-12)	Motor coupling			
40	3800-12-TB-ABF-40	滑块组合	Slider combination			

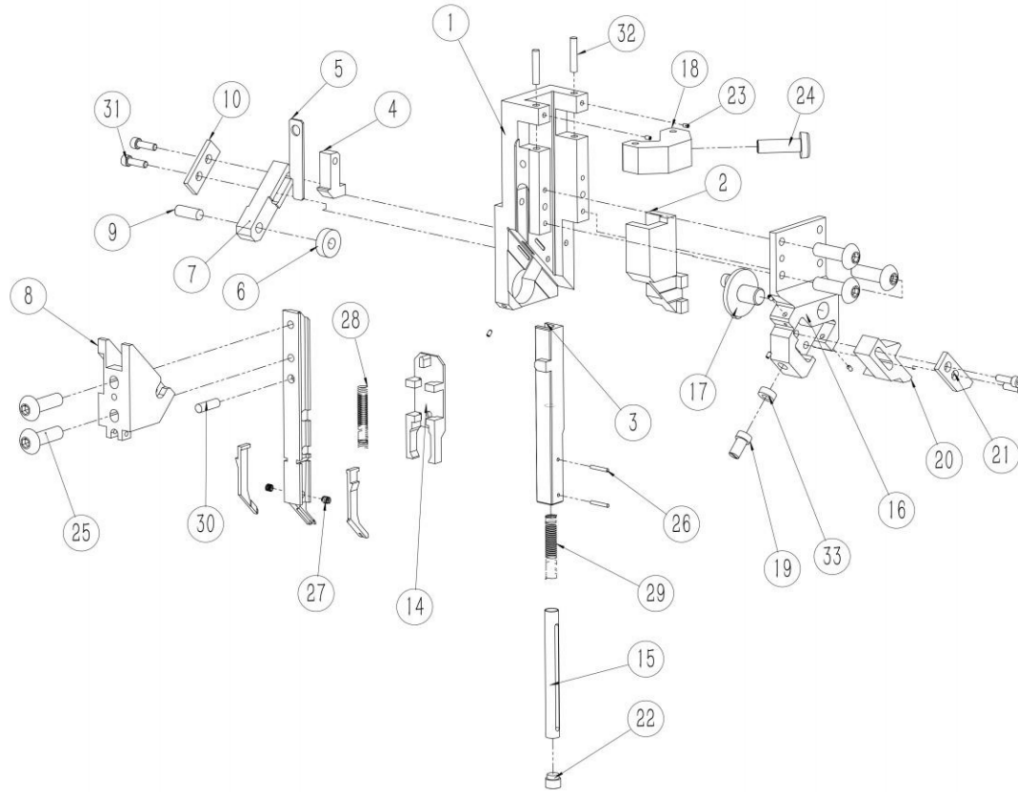
Item	P/N	Chinese Name	English Name	Country	Price	Picture
41	3800-12-TB-ABF-41	61805	61805			
42	3800-12-TB-ABF-42	压料轴感应片左	Sensor sheets			
43	3800-12-TB-ABF-43	顶部转向感应盘	Sensor disk			



Head Assembly -  
Part B

[Top](#)





Item	P/N	Chinese Name	English Name	Country	Price	Picture
1	3800-12-TB-BBF-01	顶部侧板	Head side plates			
2	3800-12-TB-BBF-02	镜向顶部侧板	The mirror is facing the lateral plate of the head			
3	3800-12-TB-BBF-03	CTA 组合连接板	CTA combination connection plate			
4	3800-12-TB-BBF-04	键 (8-8-40)	Key(8-8-40)			
5	3800-12-TB-BBF-05	台达 1500W 马达	1500W motor			
6	3800-12-TB-BBF-06	轨迹槽	Track slots			
7	3800-12-TB-BBF-07	摆臂	Swing arm			
8	3800-12-TB-BBF-08	CR12V.	CR12V			
9	3800-12-TB-BBF-09	顶部安装大板	The head is mounted with a large plate			
10	3800-12-TB-BBF-10	1500W 台达马达座	1500W motor mount			
11	3800-12-TB-BBF-11	顶部加强板	Head reinforcement plates			









HeadAssembly-  
Insert Head

[Top](#)

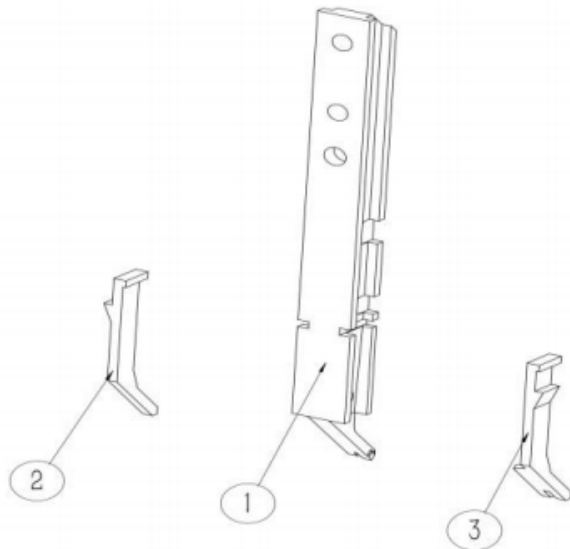
Item	P/N	Chinese Name	English Name	Country	Price	Picture
1	3800-12-TB-CJT-01	Insert Head本体	The insert header			
2	3800-12-TB-CJT-02	异形滑块	Shaped slider			
3	3800-12-TB-CJT-03	顶杆固定块/导套	Ejector bar fixing block			
4	3800-12-TB-CJT-04	旋转块 1	Rotate the block			
5	3800-12-TB-CJT-05	弹片	shrapnel			
6	3800-12-TB-CJT-06	轴承 619-5	Bear 619-5			
7	3800-12-TB-CJT-07	滑块 2A	Slider 2A			
8	3800-12-TB-CJT-08	三角滑块	Triangular slider			
9	3800-12-TB-CJT-09	销钉 2	Pin2			
10	3800-12-TB-CJT-10	垫块 1	Pad block1			

Item	P/N	Chinese Name	English Name	Country	Price	Picture
11	3800-12-TB-CJT-11	See Main Claw Assembly				
12	3800-12-TB-CJT-12	See Main Claw Assembly				
13	3800-12-TB-CJT-13	See Main Claw Assembly				
14	3800-12-TB-CJT-14	左右边抓固定块	Grasp the fixing block left and right			
15	3800-12-TB-CJT-15	顶杆/压料杆	Ejector/press bar	英赛特/42		
16	3800-12-TB-CJT-16	滑块 1	Slider 1			
17	3800-12-TB-CJT-17	旋转轮/梅花滑块	Spin wheel	英赛特/35		
18	3800-12-TB-CJT-18	插件头抱紧块	Hold the block tightly			
19	3800-12-TB-CJT-19	小滚轮	Small scroll wheel			
20	3800-12-TB-CJT-20	垫块	Pad block			



Item	P/N	Chinese Name	English Name	Country	Price	Picture
21	3800-12-TB-CJT-21	插件头压块	Briquettes			
22	3800-12-TB-CJT-22	缓冲胶	Cushioning rubber			
23	3800-12-TB-CJT-23	M5x20 基米螺丝	M5x20 Kimi screws			
24	3800-12-TB-CJT-24	M6x20 基米螺丝	M6x20 Kimi screws			
25	3800-12-TB-CJT-25	M4x20 内六角螺 丝	M4x20 hexagonal snail silk			
26	3800-12-TB-CJT-26	1.5 销钉	1.5Pin			
27	3800-12-TB-CJT-27	小弹簧 1	Spring 1			
28	3800-12-TB-CJT-28	小弹簧 2	Spring 0.3*3*1*4			
29	3800-12-TB-CJT-29	小弹簧 3	Spring 0.6*5*1.5*48			
30	3800-12-TB-CJT-30	4 销钉	Pin 4			

Item	P/N	Chinese Name	English Name	Country	Price	Picture
31	3800-12-TB-CJT-31	M3 螺丝 x10	M3 screw x10			
32	3800-12-TB-CJT-32	销钉 2 (3.175)	Pin2			
33	3800-12-TB-CJT-33	小垫轮	Small pads			



Main Claw Assembly

[Top](#)

## 10.0 Main Claw details (including distance 7.5; 5.0; 2.5)

Item	P/N	Chinese Name	English Name	Country	Price	Picture
1	3800-12-TB-ZCT-01-10.0	主抓杆	Guide Jaw			
2	3800-12-TB-ZCT-02-10.0	左边抓	Clamp, LH			
3	3800-12-TB-ZCT-03-10.0	右边抓	Clamp, RH			

## 7.5 Main Claw details ( including distance 5.0; 2.5)

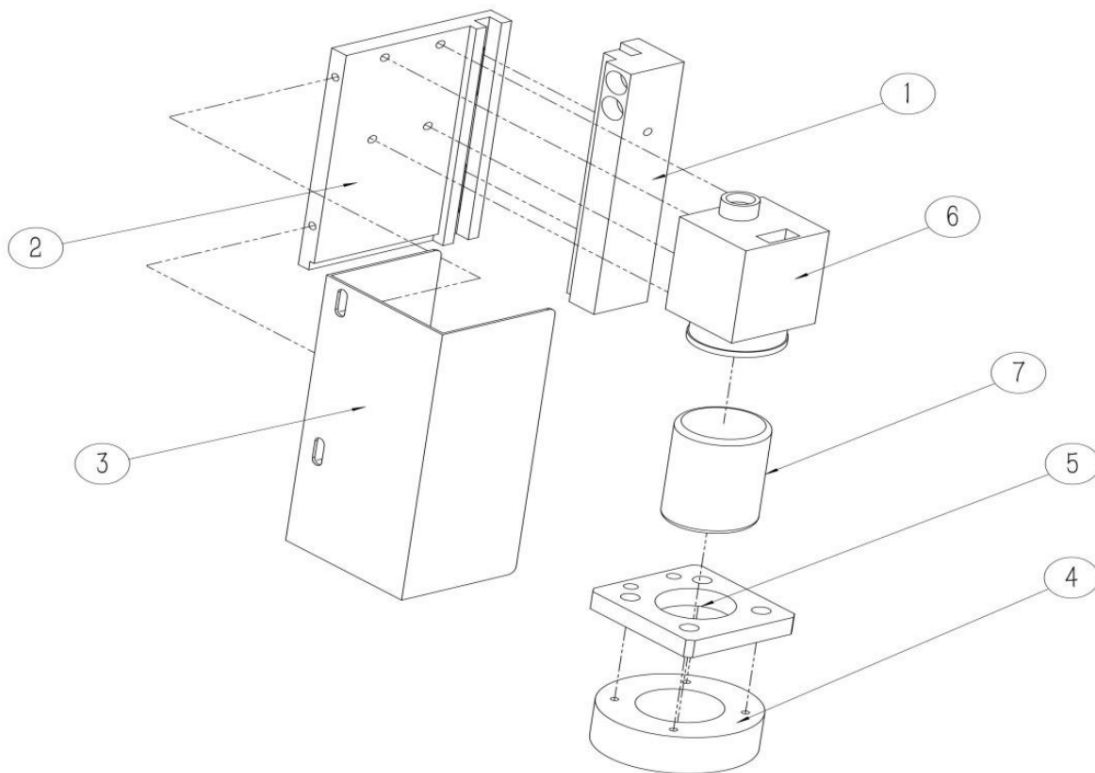
Item	P/N	Chinese Name	English Name	Country	Price	Picture
1	3800-12-TB-ZCT-01-7.5	7.5 主抓杆	7.5 Guide Jaw			
2	3800-12-TB-ZCT-02-7.5	7.5 左边抓	7.5 Clamp, LH			
3	3800-12-TB-ZCT-03-7.5	7.5 右边抓	7.5 Clamp, RH			

## 5.0 Main Claw details ( including distance 2.5)

Item	P/N	Chinese Name	English Name	Country	Price	Picture
1	3800-12-TB-ZCT-01-5.0	5.0 主抓杆	5.0 Guide Jaw			
2	3800-12-TB-ZCT-02-5.0	5.0 左边抓	5.0 Clamp, LH			
3	3800-12-TB-ZCT-03-5.0	5.0 右边抓	5.0 Clamp, RH			

## 3.5 Main Claw details ( including distance 2.5; 5.0)

Item	P/N	Chinese Name	English Name	Country	Price	Picture
1	3800-12-TB-ZCT-01-3.5	3.5 主抓杆	3.5 Guide Jaw			
2	3800-12-TB-ZCT-02-3.5	3.5 左边抓	3.5 Clamp, LH			
3	3800-12-TB-ZCT-03-3.5	3.5 右边抓	3.5 Clamp, RH			



Head Assembly-Camera

[Top](#)

Item	P/N	Chinese Name	English Name	Country	Price	Picture
1	3800-12-TB-CJT-01	扫描头固定块	Fixed block			
2	3800-12-TB-CJT-02	扫描头固定立板 a	Fixed riser A			
3	3800-12-TB-CJT-03	扫描头护盖	Cover			
4	3800-12-TB-CJT-04	相机圈	Camera ring			
5	3800-12-TB-CJT-05	相机灯安装板 1	Mounting plate 1			
6	3800-12-TB-CJT-06	小相机 2016	Camera 2016			
7	3800-12-TB-CJT-07	相机头 2016	Camera head 2016			

CTA-B部分

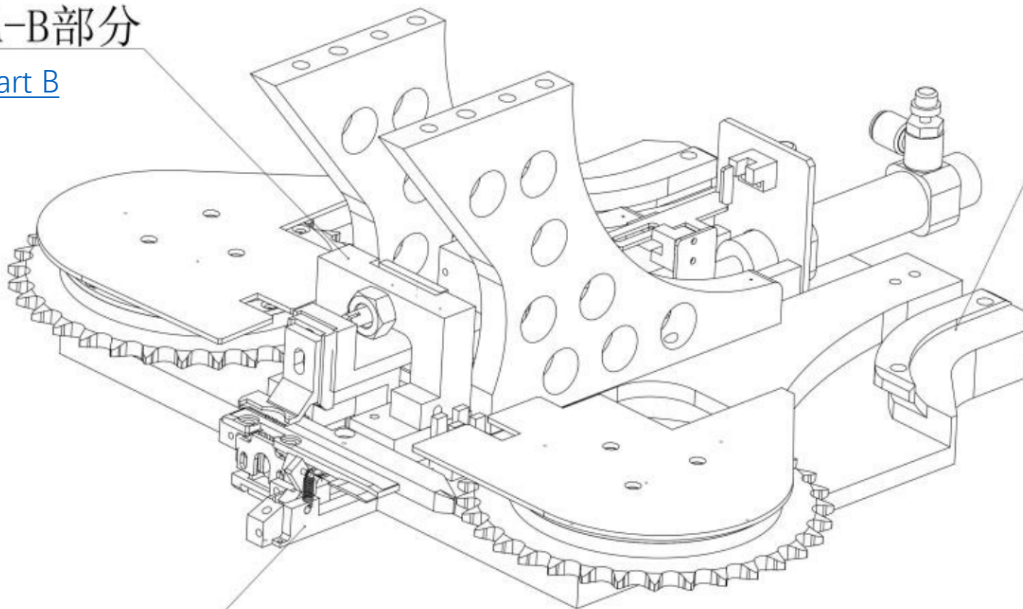
[Part B](#)

CTA-A部分

[Part A](#)

CTA-C部分

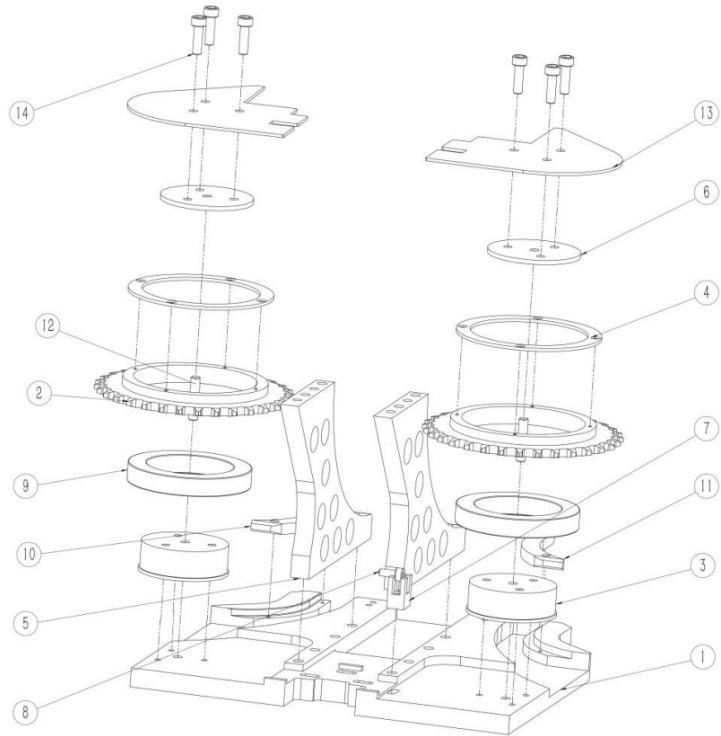
[Part C](#)



CTA

[Top](#)



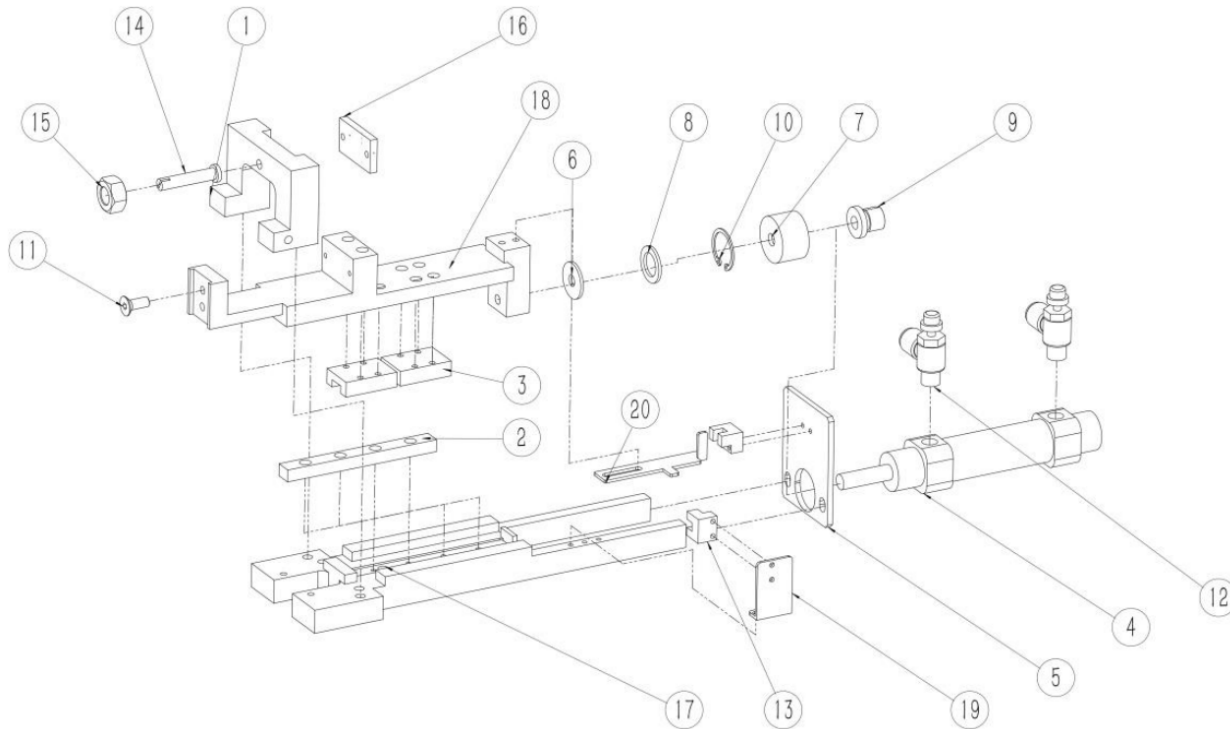


CTA-Part A

[Top](#)

Item	P/N	Chinese Name	English Name	Country	Price	Picture
1	3800-12-CTA-A-01	CTA 主板	CTA motherboard			
2	3800-12-CTA-A-02	链齿轮	Sprocket gears			
3	3800-12-CTA-A-03	链轮轴承座	Housing			
4	3800-12-CTA-A-04	链轮轴承盖	Bearing covers			
5	3800-12-CTA-A-05	支撑架 1	Support frame 1			
6	3800-12-CTA-A-06	链轮垫片	Gasket			
7	3800-12-CTA-A-07	螺钉限位块	Limit block			
8	3800-12-CTA-A-08	M5X12 螺丝	M5X12 screws			
9	3800-12-CTA-A-09	轴承 61912	Bear 61912			
10	3800-12-CTA-A-10	右白色赛钢垫片	Gasket			

Item	P/N	Chinese Name	English Name	Country	Price	Picture
11	3800-12-CTA-A-11	左白色赛钢垫片	Gasket			
12	3800-12-CTA-A-12	销钉 (直径 6.3, 长 30)	Pin			
13	3800-12-CTA-A-13	链轮护盖	Cover			
14	3800-12-CTA-A-14	M6X30 螺丝	M6X30 Screw			




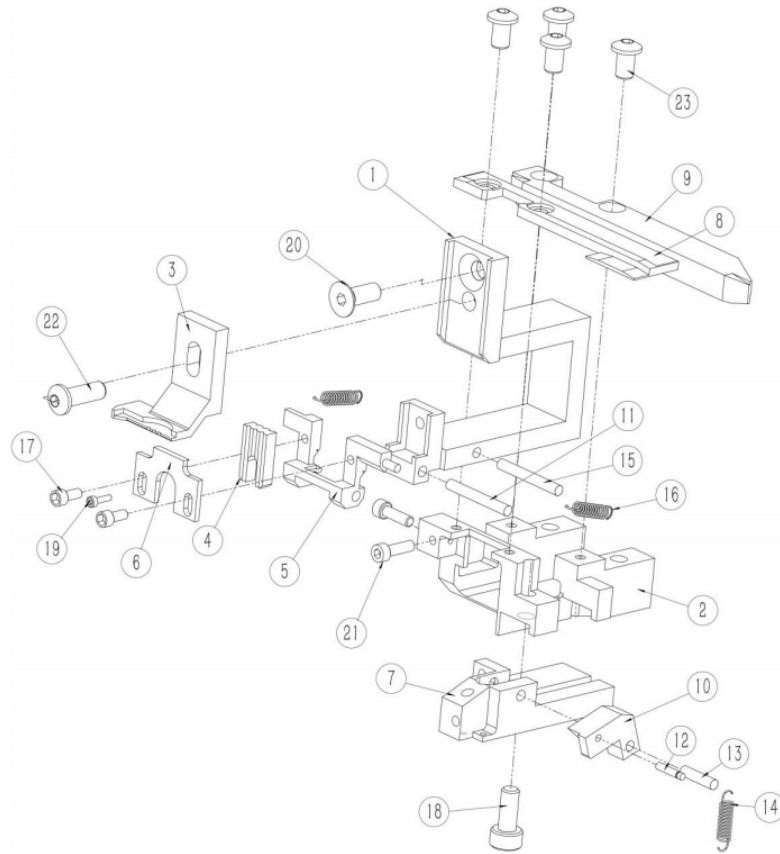
CTA-Part B

[Top](#)

Item	P/N	Chinese Name	English Name	Country	Price	Picture
1	3800-12-CTA-B-01	送料止动座	Stop seat			
2	3800-12-CTA-B-02	85 滑轨 9	Slide			
3	3800-12-CTA-B-03	滑块	Slider			
4	3800-12-CTA-B-04	CDM2B20-25	CDM2B20-25			
5	3800-12-CTA-B-05	汽缸安装板	Mounting plate			
6	3800-12-CTA-B-06	M6 螺丝优力胶垫圈	Rubber gaskets			
7	3800-12-CTA-B-07	M8 浮头套	Floating hood			
8	3800-12-CTA-B-08	M8 螺丝垫圈	Gaskets			
9	3800-12-CTA-B-09	M8 浮头 1	Floating head			
10	3800-12-CTA-B-10	21.5 卡簧	Carrier Buckle			





Item	P/N	Chinese Name	English Name	Country	Price	Picture
11	3800-12-CTA-B-11	M5X10 锥度螺丝	M5X10 Taper screws			
12	3800-12-CTA-B-12	汽管接头 (JIADI-6)	Steam pipe fittings			
13	3800-12-CTA-B-13	PM-L24	PM-K45			
14	3800-12-CTA-B-14	行程限位螺钉	Stroke limit screws			
15	3800-12-CTA-B-15	M5 螺母	M5 nut			
16	3800-12-CTA-B-16	CTA 缓冲胶	Buffer Rubber			
17	3800-12-CTA-B-17	CTA 滑块安装座	CTA slider mount			
18	3800-12-CTA-B-18	送料支架 1	Feed bracket 1			
19	3800-12-CTA-B-19	CTA 感应器安装片	CTA mounting tabs			
20	3800-12-CTA-B-20	CTA 感应片	CTA sensor sheets			





CTA-Part C

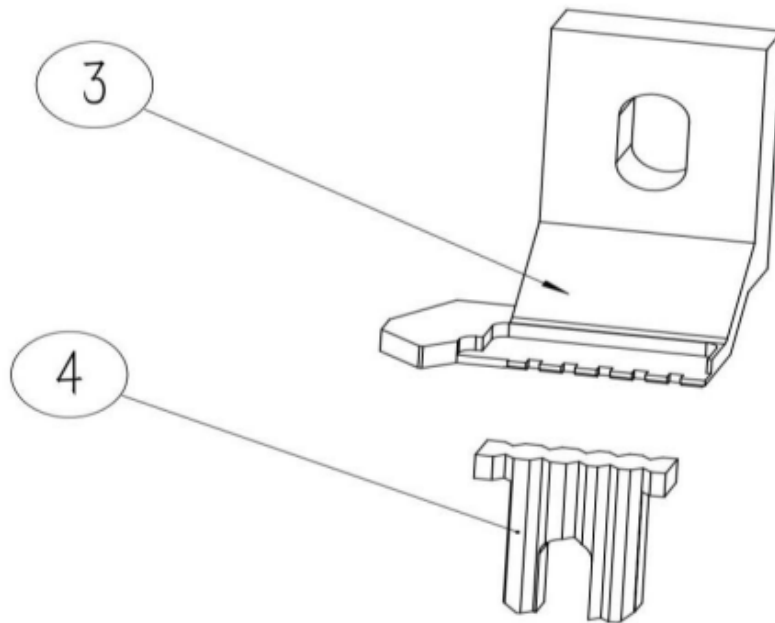
[Top](#)

Item	P/N	Chinese Name	English Name	Country	Price	Picture
1	3800-12-CTA-C-01	弯型送料器	Curved feeder			
2	3800-12-CTA-C-02	送料器铁块	Pieces of iron			
3	3800-12-CTA-C-03	推料片	Pusher sheets			
4	3800-12-CTA-C-04	波形垫块	Wave pads			
5	3800-12-CTA-C-05	弹簧夹料器	Spring gripper			
6	3800-12-CTA-C-06	夹料片	Stuffing Piece			
7	3800-12-CTA-C-07	卡料座子	Clip seat			
8	3800-12-CTA-C-08	链条前护块	Front guard			
9	3800-12-CTA-C-09	链条后护块	Rear guard			
10	3800-12-CTA-C-10	送料挡块	Feeding stops			



Item	P/N	Chinese Name	English Name	Country	Price	Picture
11	3800-12-CTA-C-11	限位销	Limit pin			
12	3800-12-CTA-C-12	限位销 1	Limit pin 1			
13	3800-12-CTA-C-13	限位销 2	Limit pin 2			
14	3800-12-CTA-C-14	S 形弹簧 1	S spring 1			
15	3800-12-CTA-C-15	限位销 3	Limit pin 3			
16	3800-12-CTA-C-16	S 形弹簧	S spring			
17	3800-12-CTA-C-17	M3 英制螺丝	M3 inch screws			
18	3800-12-CTA-C-18	M5X12 螺丝	M5X12 screws			
19	3800-12-CTA-C-19	M3 x10 螺丝	M3 x10 screws			
20	3800-12-CTA-C-20	M5X10 锥度螺丝	M5X10 taper screws			

Item	P/N	Chinese Name	English Name	Country	Price	Picture
21	3800-12-CTA-C-21	M3 螺丝 x10	M3 screw x10			
22	3800-12-CTA-C-22	M5X10 圆头螺丝	M5X10 round head screws			
23	3800-12-CTA-C-23	M4X10 杯头螺丝	M4X10 cup head screw			



Pushing pin, Wave washer

[Top](#)

## 10.0 Pushing pin, Wave washer

Item	P/N	Chinese Name	English Name	Country	Price	Picture
3	3800-12-CTA-C-03-10.0	推料片-10.0	Pushing pin-10.0			
4	3800-12-CTA-C-03-10.0	波形垫块-10.0	Wave washer-10.0			

## 7.5 Pushing pin, Wave washer

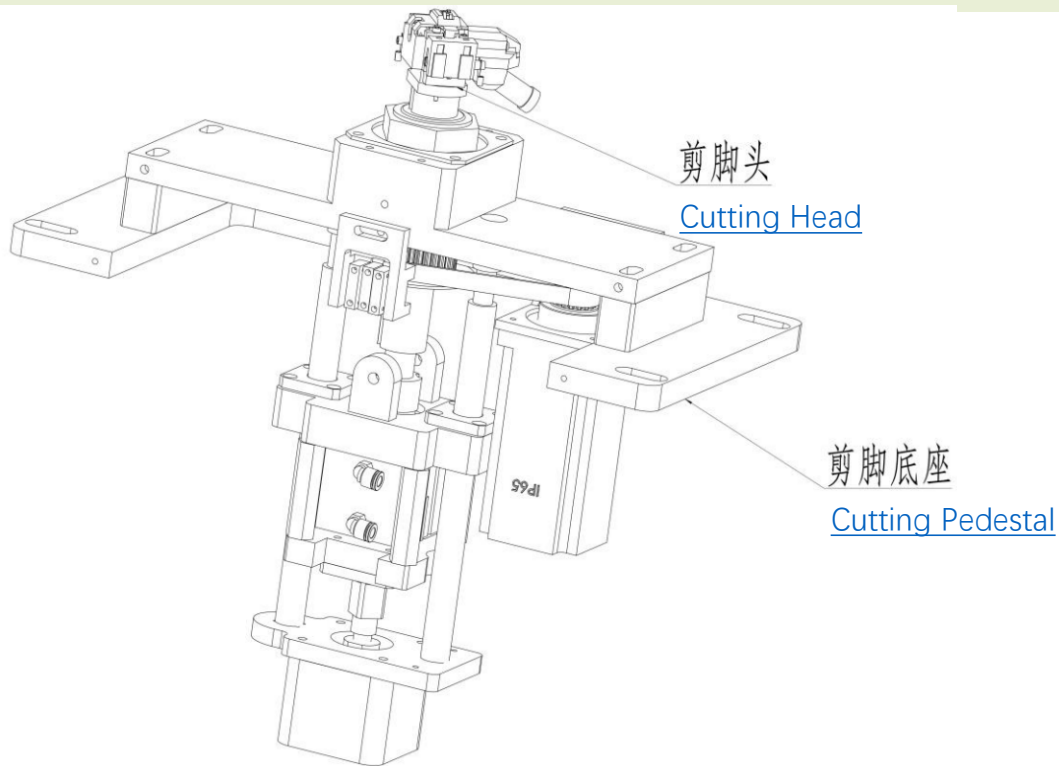
Item	P/N	Chinese Name	English Name	Country	Price	Picture
3	3800-12-CTA-C-03-7.5	推料片-7.5	Pushing pin-7.5			
4	3800-12-CTA-C-03-7.5	波形垫块-7.5	Wave washer-7.5			

## 5.0 Pushing pin, Wave washer

Item	P/N	Chinese Name	English Name	Country	Price	Picture
3	3800-12-CTA-C-03-5.0	推料片-5.0	Pushing pin-5.0			
4	3800-12-CTA-C-03-5.0	波形垫块-5.0	Wave washer-5.0			

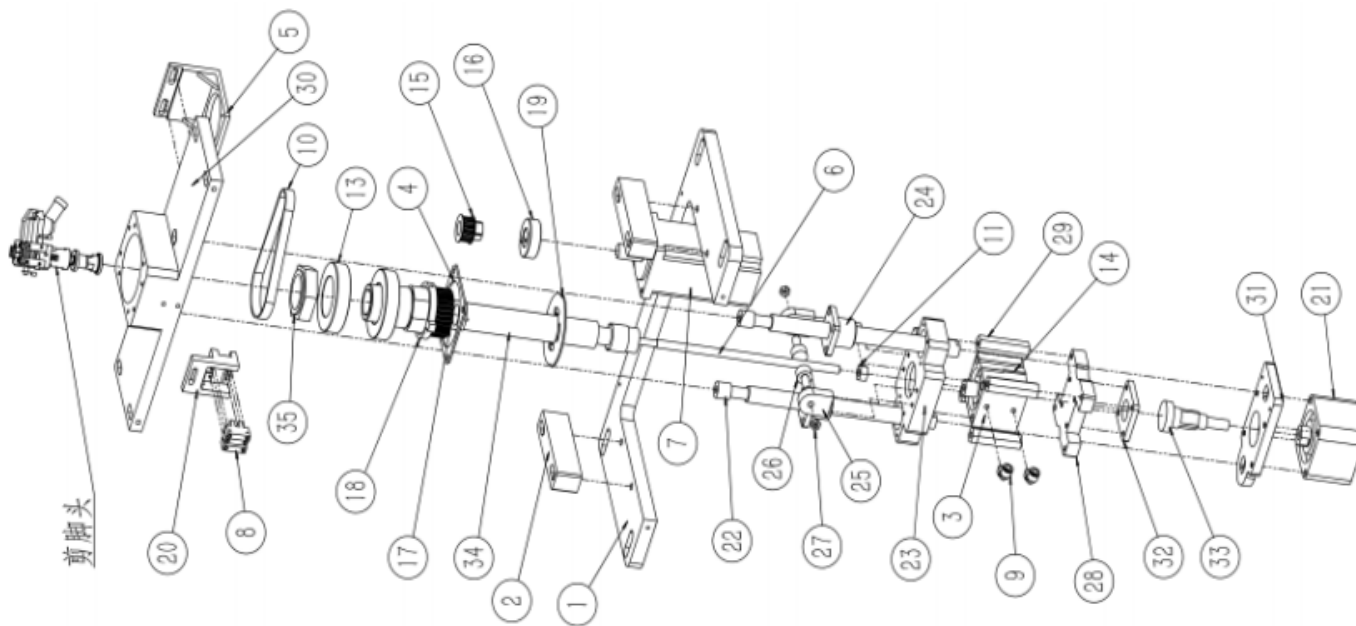
## 3.5 Pushing pin, Wave washer

Item	P/N	Chinese Name	English Name	Country	Price	Picture
3	3800-12-CTA-C-03-3.5	推料片-3.5	Pushing pin-3.5			
4	3800-12-CTA-C-03-3.5	波形垫块-3.5	Wave washer-3.5			



Lead Cutting Assembly

[Top](#)



Lead cutting Assembly-Pedestal

[Top](#)

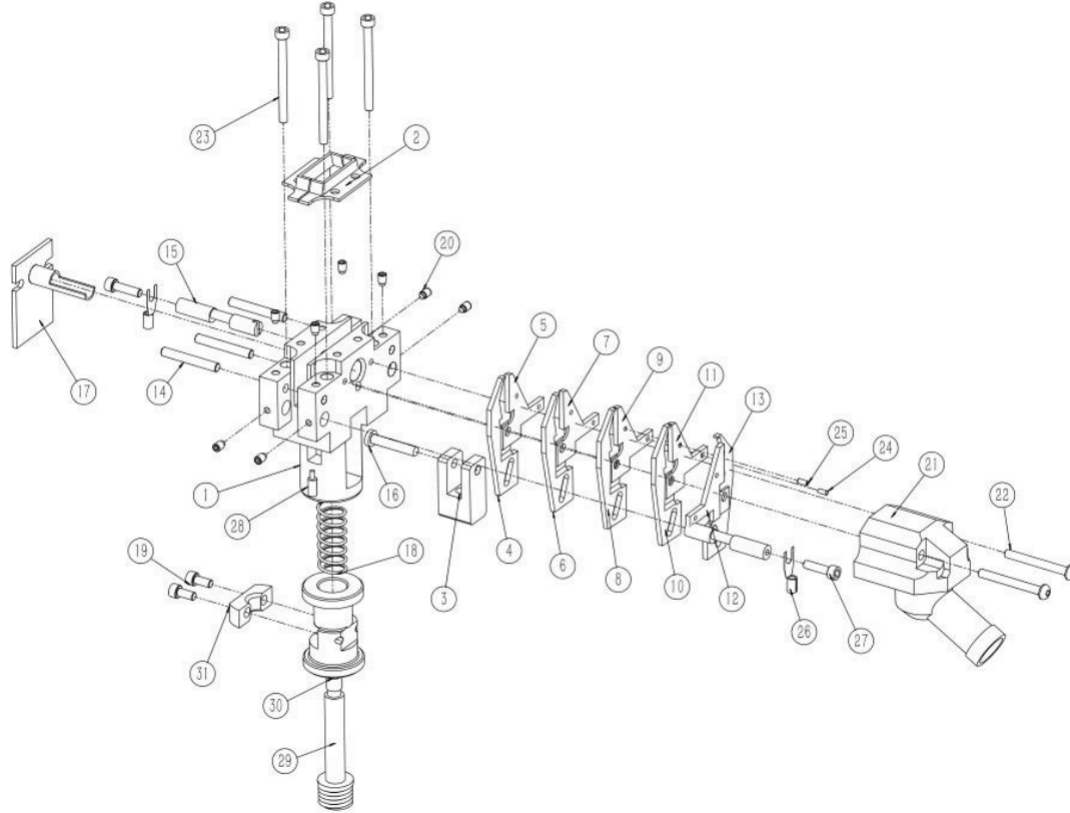
Item	P/N	Chinese Name	English Name	Country	Price	Picture
1	3800-12-JJZ-01	底座底板	Base baseplate			
2	3800-12-JJZ-02	底座垫高块	Base cushion height block			
3	3800-12-JJZ-03	底座气缸 2	Base cylinder 2			
4	3800-12-JJZ-04	方形垫片	Square gasket			
5	3800-12-JJZ-05	底座马达固定座	Base motor mount			
6	3800-12-JJZ-06	气缸 2 连接杆	Cylinder 2 connecting rod			
7	3800-12-JJZ-07	400W 马达	400W motor			
8	3800-12-JJZ-08	SX670	SX670			
9	3800-12-JJZ-09	汽管接头 1	Steam pipe fitting 1			
10	3800-12-JJZ-10	皮带	Belt			



Item	P/N	Chinese Name	English Name	Country	Price	Picture
11	3800-12-JJZ-11	M8 不锈钢螺母	M8 stainless steel nut			
12	3800-12-JJZ-12	底座亚克力盖板	Base acrylic cover			
13	3800-12-JJZ-13	轴承 6008Z	Bear 6008Z			
14	3800-12-JJZ-14	磁性开关 (SMC-D-A93)	Cylinder Sensor			
15	3800-12-JJZ-15	电机推杆皮带轮 A	Motor pushrod pulley A			
16	3800-12-JJZ-16	18 抱紧圈	18 Hold tightly			
17	3800-12-JJZ-17	底座旋转皮带轮 2	Base swivel pulley 2			
18	3800-12-JJZ-18	底座旋转限位圈	Base rotates the limit ring			
19	3800-12-JJZ-19	底座旋转感应盘 3	Base rotation sensor disc 3			
20	3800-12-JJZ-20	底座旋转感应块	Base rotation sensing block			

Item	P/N	Chinese Name	English Name	Country	Price	Picture
21	3800-12-JJZ-21	气缸 ACQ50X10-S	cylinder			
22	3800-12-JJZ-22	导柱	Guide column			
23	3800-12-JJZ-23	叉架固定块	Fork holder fixing block			
24	3800-12-JJZ-24	铜套 16	Copper sleeve 16			
25	3800-12-JJZ-25	小叉架	Small fork frame			
26	3800-12-JJZ-26	随动轴承-A	Follower bearing-A			
27	3800-12-JJZ-27	M6 螺母	M6 nut			
28	3800-12-JJZ-28	固定板 1	Fixing plate 1			
29	3800-12-JJZ-29	六角柱	Hexagonal columns			
30	3800-12-JJZ-30	剪脚器底座	Base			




Item	P/N	Chinese Name	English Name	Country	Price	Picture
31	3800-12-JJZ-31	气缸固定板 1	Cylinder fixing plate 1			
32	3800-12-JJZ-32	浮动接头压块	Floating joint briquettes			
33	3800-12-JJZ-33	浮动接头 1	Floating connector 1			
34	3800-12-JJZ-34	底座花键轴 1	Base spline axis 1			
35	3800-12-JJZ-35	定做螺母 1	Customized nut 1			






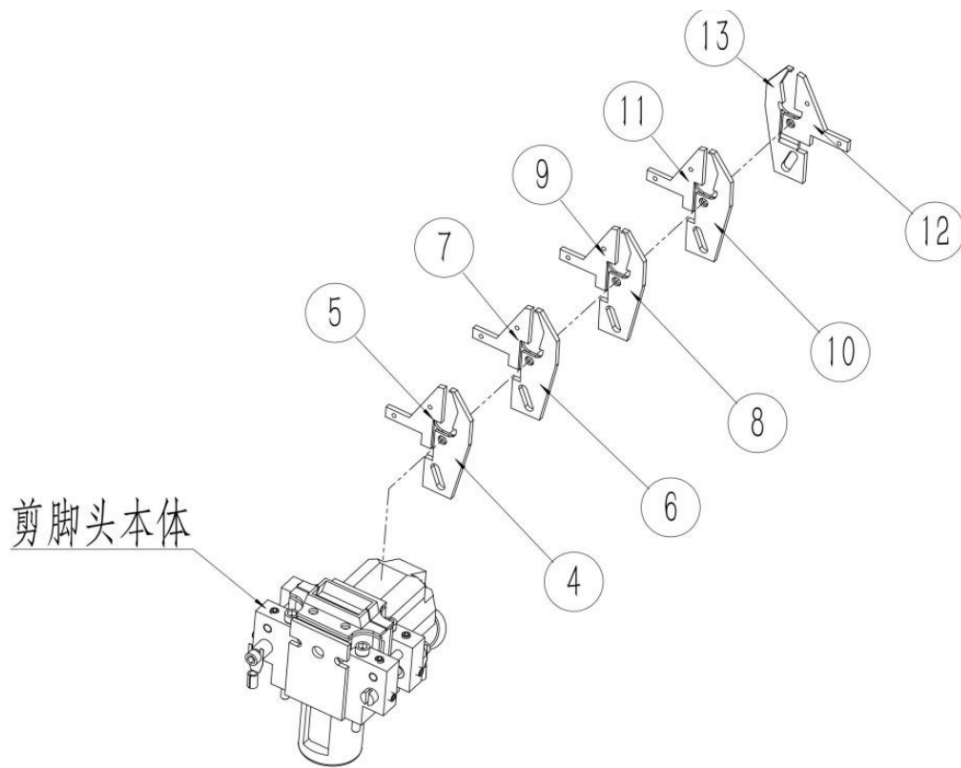
Lead Cutting Assembly- Head

[Top](#)

Item	P/N	Chinese Name	English Name	Country	Price	Picture
1	3800-12-JJQ-01	剪脚头本体	Cut the head of the foot			
2	3800-12-JJQ-02	剪脚头铁盖	Cut the iron cover of the toe head			
3	3800-12-JJQ-03	剪脚头连接块	Snip the head connection block			
4	3800-12-JJQ-04	剪脚活动刀片 10.0	Cut the lead to move the blade 10.0			
5	3800-12-JJQ-05	剪脚固定刀片 10.0	Scissor lead fixing blade 10.0			
6	3800-12-JJQ-06	剪脚活动刀片 7.5	Cut the lead to move the blade 7.5			
7	3800-12-JJQ-07	剪脚固定刀片 7.5	Scissor lead fixing blade 7.5			
8	3800-12-JJQ-08	剪脚活动刀片 5.0	Cut the lead to move the blade 5.0			
9	3800-12-JJQ-09	剪脚固定刀片 5.0	Scissor lead fixing blade 5.0			
10	3800-12-JJQ-10	剪脚活动刀片 2.5	Cut the lead to move the blade 2.5			

Item	P/N	Chinese Name	English Name	Country	Price	Picture
11	3800-12-JJQ-11	剪脚固定刀片 2.5	Scissor lead fixing blade 2.5			
12	3800-12-JJQ-12	剪脚固定刀片	Scissor lead fixing blade			
13	3800-12-JJQ-13	剪脚活动刀片	Cut the lead to move the blade			
14	3800-12-JJQ-14	剪脚刀销钉	Lead Cutter Pin, Flat head			
15	3800-12-JJQ-15	剪脚刀销钉 2	Scissor pins 2			
16	3800-12-JJQ-16	剪脚器配件 2	Lead scissors accessory 2			
17	3800-12-JJQ-17	料脚通气管	Lead snorkel			
18	3800-12-JJQ-18	剪脚器弹簧	Lead scissor spring			
19	3800-12-JJQ-19	M3X6 英制螺丝	M3X6 inch screws			 62
20	3800-12-JJQ-20	M3X4 英制基米螺丝	M3X4 imperial kimi snail silk			

Item	P/N	Chinese Name	English Name	Country	Price	Picture
21	3800-12-JJQ-21	剪脚器配件 4	Lead Cutter Pipe			
22	3800-12-JJQ-22	M3X25 英制螺丝	M3X25 inch screws			
23	3800-12-JJQ-23	M3X32 英制螺丝	M3X32 inch screws			
24	3800-12-JJQ-24	剪脚刀销钉 1	Location Pin			
25	3800-12-JJQ-25	剪脚刀空心销钉	Hollow pins			
26	3800-12-JJQ-26	线插	Plug			
27	3800-12-JJQ-27	M3X10 英制螺丝	M3X10 inch screws			
28	3800-12-JJQ-28	弹簧基米螺丝	Spring base screws			
29	3800-12-JJQ-29	剪脚器配件 8	Lead scissors accessory 8			
30	3800-12-JJQ-30	剪脚器配件 7	Lead scissors accessory 7			63
31	3800-12-JJQ-31	剪脚器配件 6	Lead scissors accessory 6			




Lead Cutting Head

[Top](#)



Item	P/N	Chinese Name	English Name	Country	Price	Picture
4	3800-12-JJT-04-10.0	剪脚活动刀片 10.0	Cut the lead to move the blade 10.0			
5	3800-12-JJT-05-10.0	剪脚固定刀片 10.0	Scissor lead fixing blade 10.0			
6	3800-12-JJT-06-7.5	剪脚活动刀片 7.5	7.5mm Lead Cutter,Small Shear (6pieces/set)			
7	3800-12-JJT-07-7.5	剪脚固定刀片 7.5	7.5mm Lead Cutter,Small Shear (6pieces/set)			
8	3800-12-JJT-08-5.0	剪脚活动刀片 5.0	5.0mm Lead Cutter,Small Shear (6pieces/set)			
9	3800-12-JJT-09-5.0	剪脚固定刀片 5.0	5.0mm Lead Cutter,Small Shear (6pieces/set)			
10	3800-12-JJT-10-2.5	剪脚活动刀片 2.5	2.5mm Lead Cutter,Small Shear (6pieces/set)			
11	3800-12-JJT-11-2.5	剪脚固定刀片 2.5	2.5mm Lead Cutter,Small Shear (6pieces/set)			
12	3800-12-JJT-12	剪脚固定刀片	Cut the lead to move the blade			
13	3800-12-JJT-13	剪脚活动刀片	Scissor lead fixing blade			

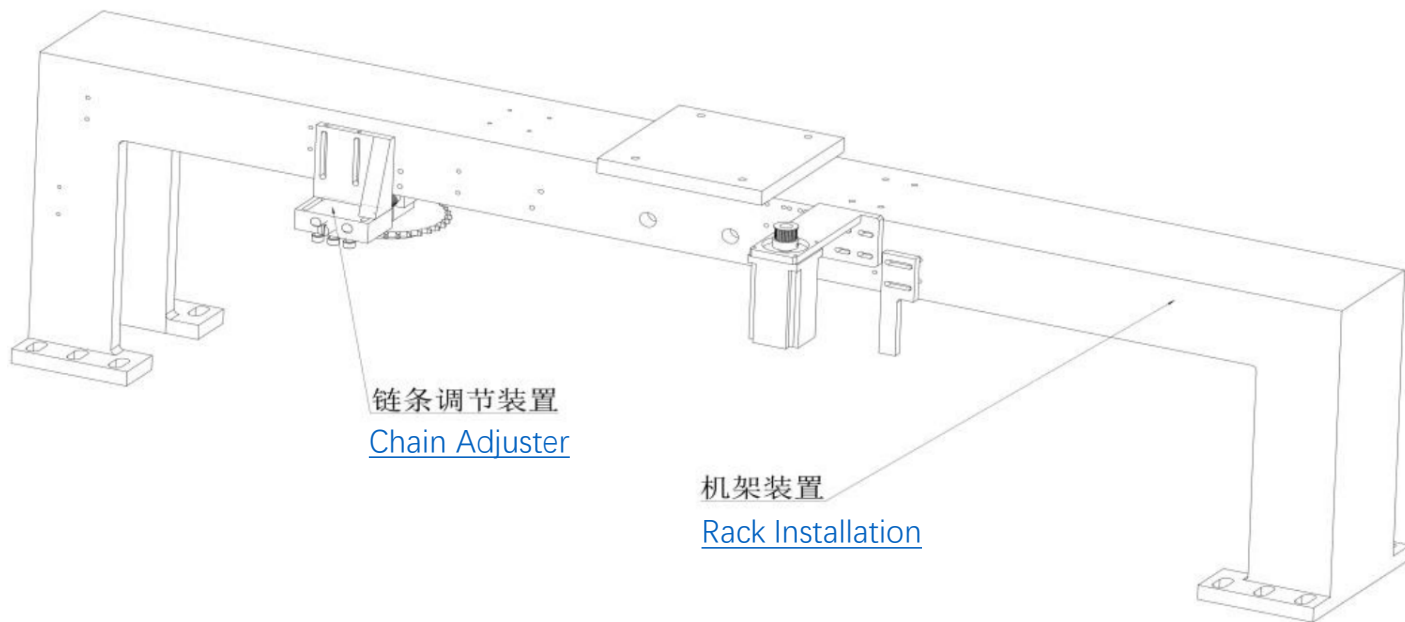
Item	P/N	Chinese Name	English Name	Country	Price	Picture
4	3800-12-JJT-06-7.5	剪脚活动刀片 7.5	Cut the lead to move the blade 7.5			
5	3800-12-JJT-07-7.5	剪脚固定刀片 7.5	Scissor lead fixing blade 7.5			
6	3800-12-JJT-08-5.0	剪脚活动刀片 5.0	5.0mm Lead Cutter, Small Shear (6pieces/set)			
7	3800-12-JJT-09-5.0	剪脚固定刀片 5.0	5.0mm Lead Cutter, Small Shear (6pieces/set)			
8	3800-12-JJT-10-2.5	剪脚活动刀片 2.5	Cut the lead to move the blade 2.5			
9	3800-12-JJT-11-2.5	剪脚活动刀片 2.5	Scissor lead fixing blade 2.5			
10	3800-12-JJT-12	剪脚固定刀片	Cut the lead to move the blade			
11	3800-12-JJT-13	剪脚活动刀片	Scissor lead fixing blade			

## 5.0剪脚刀

Item	P/N	Chinese Name	English Name	Country	Price	Picture
4	3800-12-JJT-08-5.0	剪脚活动刀片 5.0	Scissor lead fixing blade 5.0			
5	3800-12-JJT-09-5.0	剪脚固定刀片 5.0	Cut the lead to move the blade 5.0			
6	3800-12-JJT-10-2.5	剪脚活动刀片 2.5	Scissor lead fixing blade 2.5			
7	3800-12-JJT-11-2.5	剪脚固定刀片 2.5	Cut the lead to move the blade 2.5			
8	3800-12-JJT-12	剪脚固定刀片	Cut the lead to move the blade			
9	3800-12-JJT-13	剪脚活动刀片	Scissor lead fixing blade			

## 3.5剪脚刀

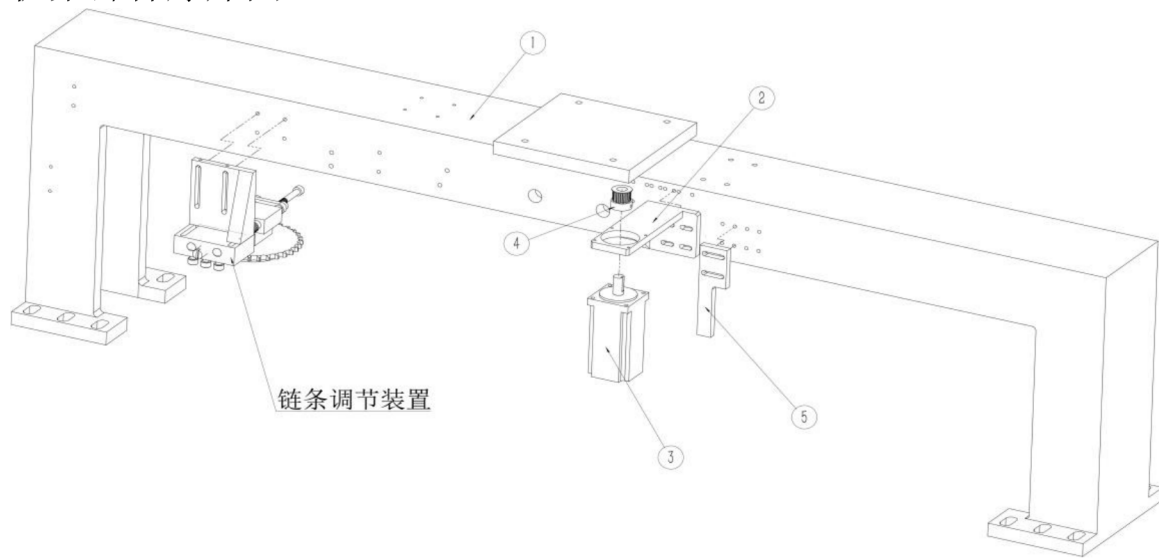
Item	P/N	Chinese Name	English Name	Country	Price	Picture
4	3800-12-JJT-06-3.5	剪脚活动刀片 7.5	Scissor lead fixing blade 7.5			
5	3800-12-JJT-07-3.5	剪脚固定刀片 7.5	Cut the lead to move the blade 7.5			
6	3800-12-JJT-08-5.0	剪脚活动刀片 5.0	Scissor lead fixing blade 5.0			
7	3800-12-JJT-09-5.0	剪脚固定刀片 5.0	Cut the lead to move the blade 5.0			
8	3800-12-JJT-10-2.5	剪脚活动刀片 2.5	Scissor lead fixing blade 2.5			
9	3800-12-JJT-11-2.5	剪脚固定刀片 2.5	Cut the lead to move the blade 2.5			
10	3800-12-JJT-12	剪脚固定刀片	Cut the lead to move the blade			
11	3800-12-JJT-13	剪脚活动刀片	Scissor lead fixing blade			



Beam  
Assembly

[Top](#)

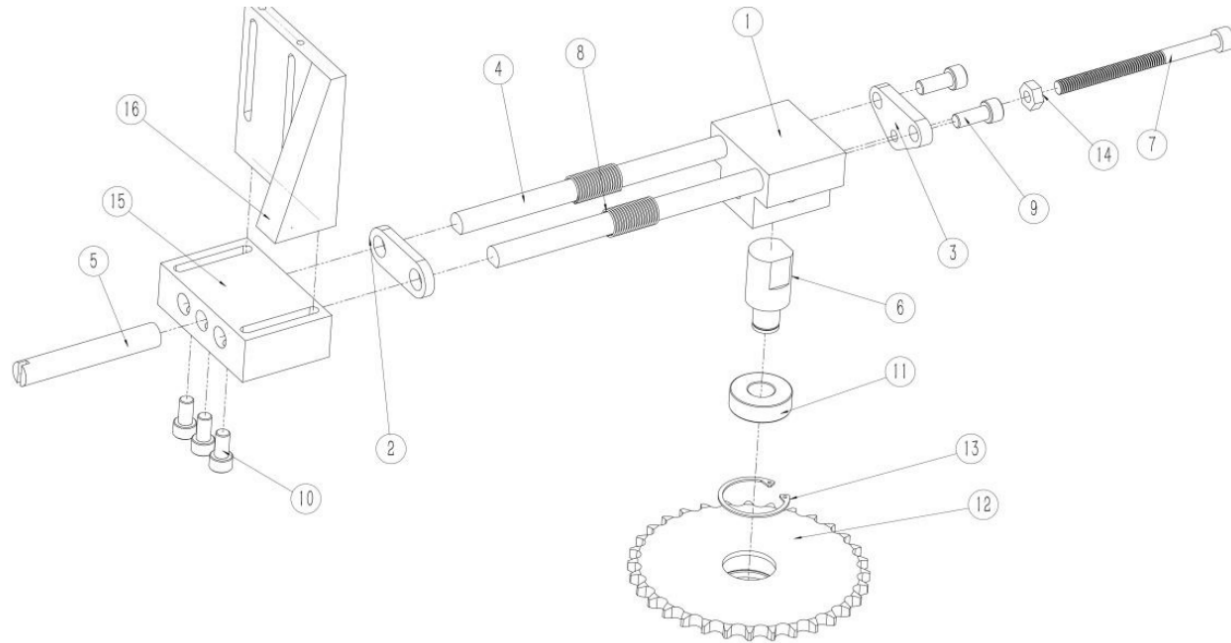
机架部件爆炸图



Beam Assembly-Rack Installation

[Top](#)

Item	P/N	Chinese Name	English Name	Country	Price	Picture
1	3800-12-JJZZ-01	联体机工作机架	Combined machine work frame			
2	3800-12-JJZZ-02	顶部转向马达安装座	Head steering motor mount			
3	3800-12-JJZZ-03	400W马达	400W motor			
4	3800-12-JJZZ-04	转向皮带轮A-15齿	Steering pulley A-15 teeth			
5	3800-12-JJZZ-05	链条滑动槽3挂板	Chain slide groove 3 hanging plate			



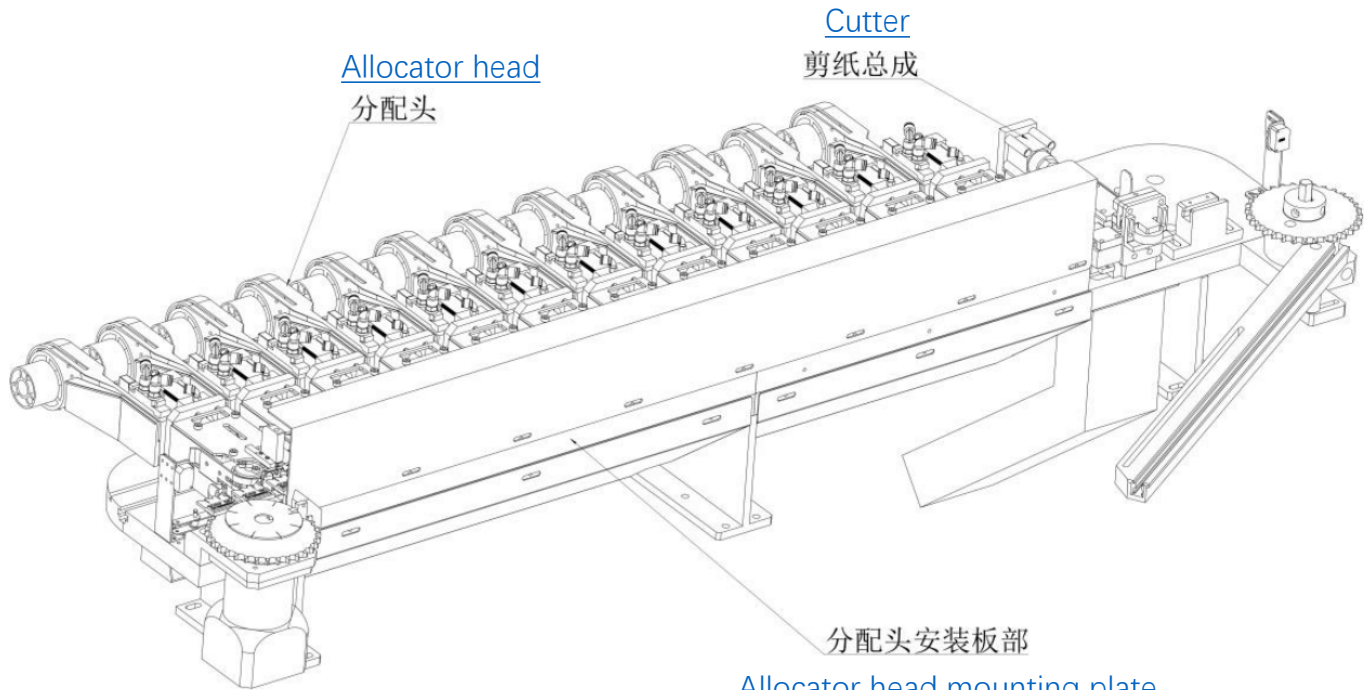
Beam Assembly-Chain Adjuster

[Top](#)



Item	P/N	Chinese Name	English Name	Country	Price	Picture
1	3800-12-LTTJ-01	链调节器固定座 1	Chain regulator holder 1			
2	3800-12-LTTJ-02	链调节器弹簧挡片	Chain regulator spring stopper			
3	3800-12-LTTJ-03	链调节器弹簧挡片 1	Chain regulator spring stop 1			
4	3800-12-LTTJ-04	链调节器导柱	Chain regulator guide post			
5	3800-12-LTTJ-05	链调节器调节螺丝	Chain regulator adjustment screw			
6	3800-12-LTTJ-06	链调节器固定轴	The chain regulator holds the shaft			
7	3800-12-LTTJ-07	M8 长螺丝	M8 long screws			
8	3800-12-LTTJ-08	链调器弹簧	Chain adjuster spring			
9	3800-12-LTTJ-09	M8X20 螺丝	M8X20 screws			
10	3800-12-LTTJ-10	M8X15 螺丝	M8X15 screws			

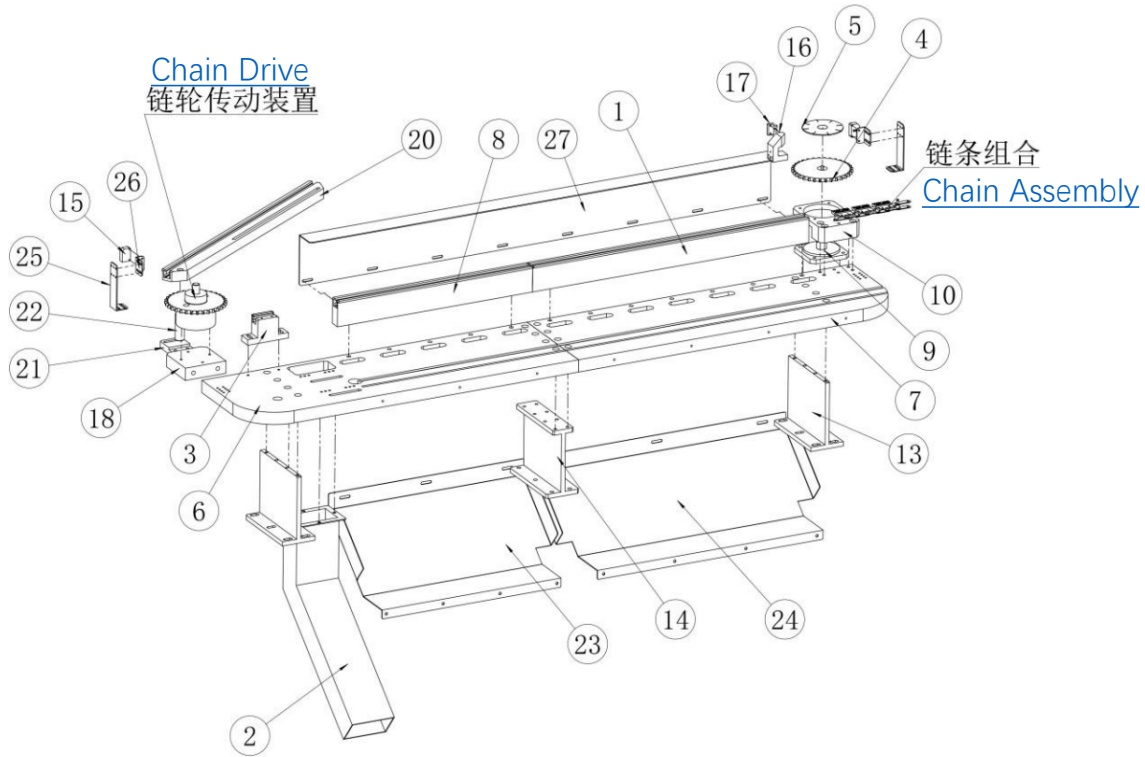
Item	P/N	Chinese Name	English Name	Country	Price	Picture
11	3800-12-LTTJ-11	轴承 6202	Bear 6202			
12	3800-12-LTTJ-12	链轮 08B-10	Sprocket 08B-10			
13	3800-12-LTTJ-13	内卡簧 (直径 40)	Internal circlip (diameter 40)			
14	3800-12-LTTJ-14	M8 螺母	M8 nut			
15	3800-12-LTTJ-15	1209-1	1209-1			
16	3800-12-LTTJ-16	链条张紧固定座	Chain tensioning holder			



## Feeder Assembly

[Allocator head mounting plate](#)

[Top](#)



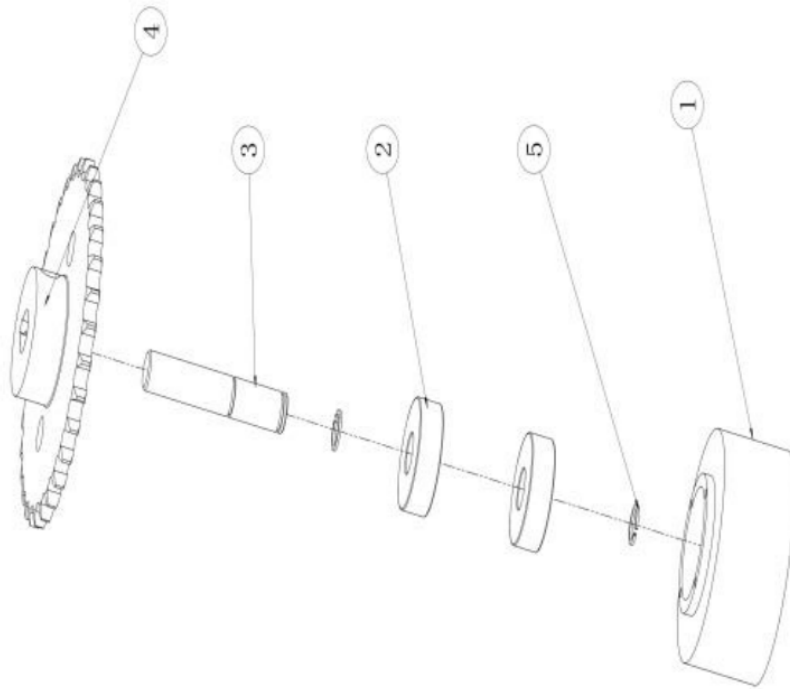
Feeder Assembly-Feeder mounting mechanism

[Top](#)

Item	P/N	Chinese Name	English Name	Country	Price	Picture
1	3800-12-FPTAZB-01	链条滑动槽	Chain slide groove			
2	3800-12-FPTAZB-02	Cutter垃圾漏斗	Paper cut garbage funnel			
3	3800-12-FPTAZB-03	链条调整块 1	Chain adjustment block 1			
4	3800-12-FPTAZB-04	链轮 08B-1	Sprocket 08B-1			
5	3800-12-FPTAZB-05	链条原点感应片	Chain origin sensing piece			
6	3800-12-FPTAZB-06	分配头安装板 1	Dispense head mounting plate 1			
7	3800-12-FPTAZB-07	分配头安装板 2	Dispense head mounting plate 2			
8	3800-12-FPTAZB-08	链条滑动槽 2	Chain slide slot 2			
9	3800-12-FPTAZB-09	DH090 减速机	DH090 reducer			
10	3800-12-FPTAZB-10	加装板 1	Add-on plate 1			

Item	P/N	Chinese Name	English Name	Country	Price	Picture
11	3800-12-FPTAZB-11	16004 轴承	Bear 16004			
12	3800-12-FPTAZB-12	链轮轴承盖 A	Sprocket bearing cover A			
13	3800-12-FPTAZB-13	分配头安装板支撑块	Dispense head mounting plate support block			
14	3800-12-FPTAZB-14	分配头安装板支撑块 A	Dispensing head mounting plate support block A			
15	3800-12-FPTAZB-15	红外线感应器	Compoment Sensor			
16	3800-12-FPTAZB-16	链条尾部感应器支架	Chain tail sensor bracket			
17	3800-12-FPTAZB-17	SX670	SX670			
18	3800-12-FPTAZB-18	右加装板	Right add-on plate			
19	3800-12-FPTAZB-19	垫环	Pad rings			
20	3800-12-FPTAZB-20	链条辅助槽	Chain auxiliary slot			

Item	P/N	Chinese Name	English Name	Country	Price	Picture
21	3800-12-FPTAZB-21	链条槽 3 安装板	Chain slot 3 mounting plate			
22	3800-12-FPTAZB-22	链条滑动槽支撑柱	Chain sliding groove support column			
23	3800-12-FPTAZB-23	纸皮挡板	Paper-skin bezel			
24	3800-12-FPTAZB-24	纸皮挡板-B	Paper-Skin Baffle-B			
25	3800-12-FPTAZB-25	送料器回位感应器支架1	Feeder return sensor bracket 1			
26	3800-12-FPTAZB-26	送料回位感应器安装片	Feed return sensor mounting piece			
27	3800-12-FPTAZB-27	站位标识板	Station identification board			

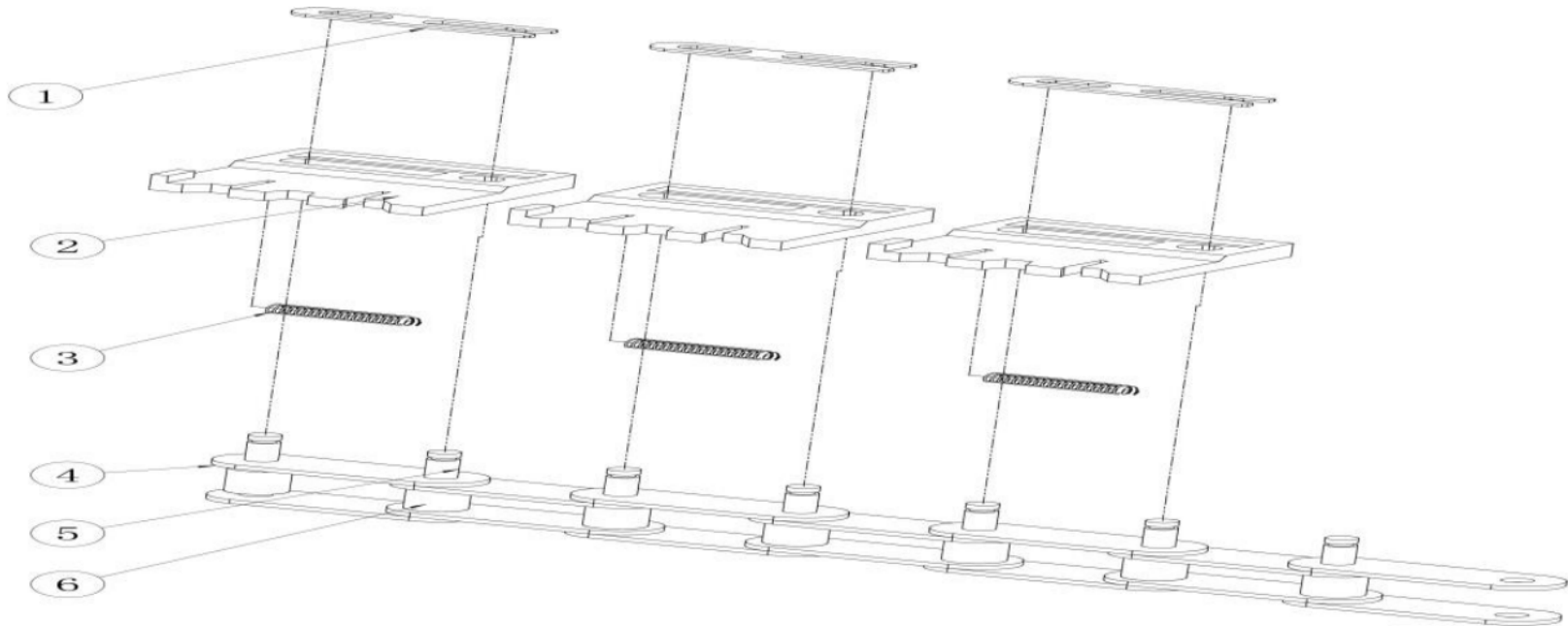


Feeder Assembly-Chain Drive Assembly

[Top](#)





Item	P/N	Chinese Name	English Name	Country	Price	Picture
1	3800-12-LLCDZZ-01	链轮 08B-1 固定座	Sprocket 08B-1 mount			
2	3800-12-LLCDZZ-02	轴承 6302	Bear 6302			
3	3800-12-LLCDZZ-03	链轮 08B-1 轴	Sprocket 08B-1 axle			
4	3800-12-LLCDZZ-04	链轮 08A-1	Sprocket 08A-1			
5	3800-12-LLCDZZ-05	内卡簧 (直径 12)	Internal circlip (diameter 12)			

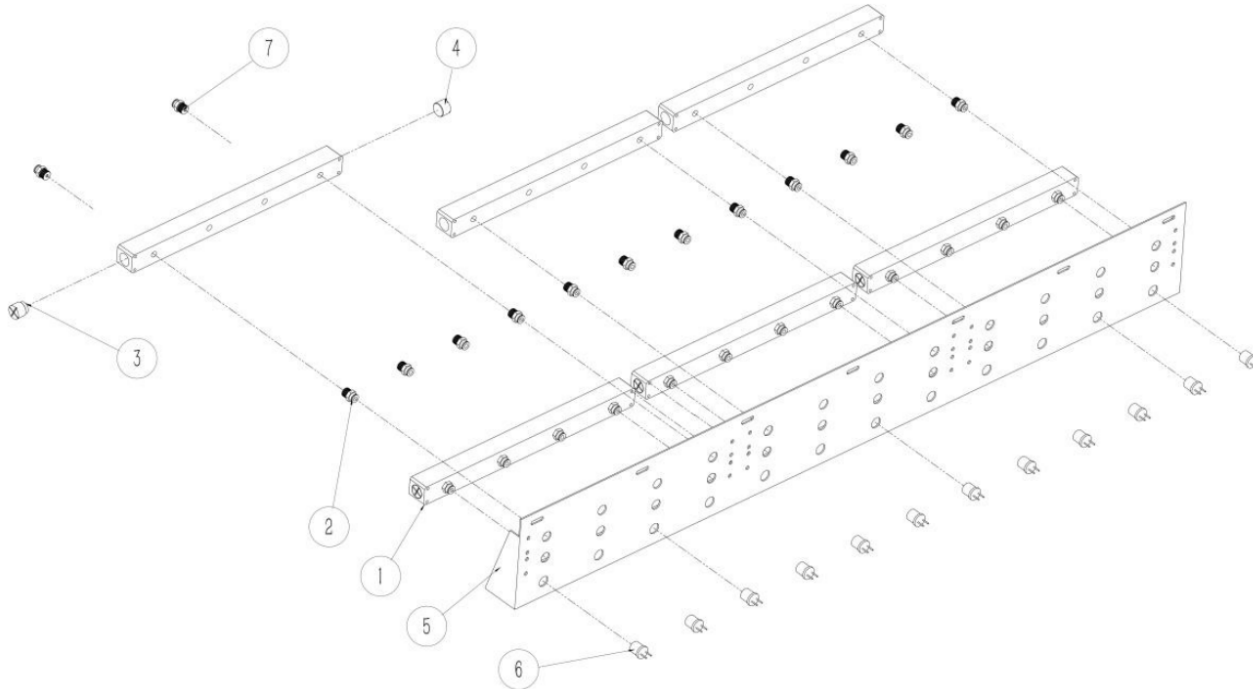


Feeder Assembly-Chain Assembly

[Top](#)

Item	P/N	Chinese Name	English Name	Country	Price	Picture
1	3800-12-LTZH-01	U 形长卡簧	U-shaped long circlips			
2	3800-12-LTZH-02	链夹	Chain clips			
3	3800-12-LTZH-03	弹簧	Spring 0.3*1*3*20			
4	3800-12-LTZH-04	链条	Chain			
5			Chain			
6			Chain			

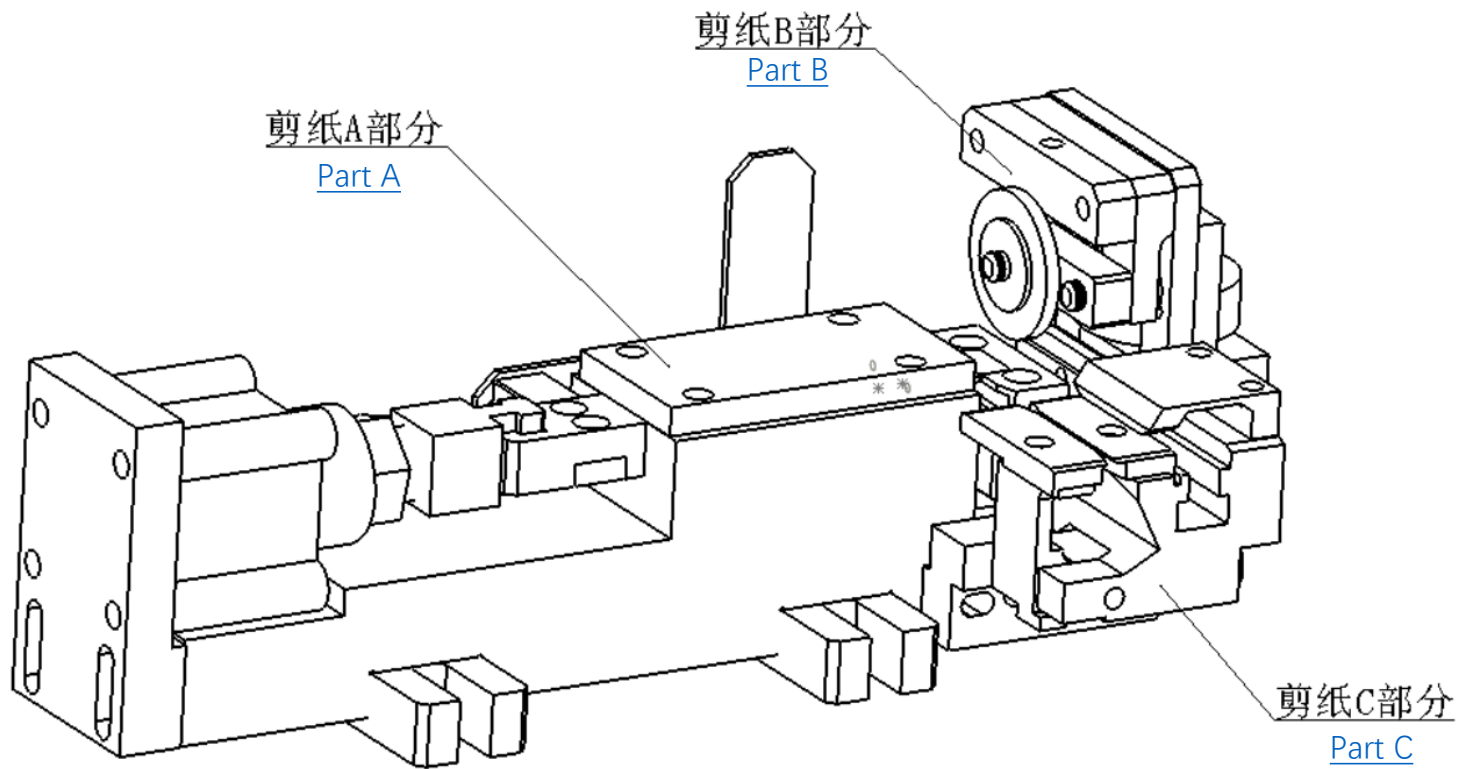
Item	P/N	Chinese Name	English Name	Country	Price	Picture
3	3800-12-LTZH-03-10.0	链夹 10.0	Carrier Clip10.0			
3	3800-12-LTZH-03-7.5	链夹 7.5	Carrier Clip7.5			
3	3800-12-LTZH-03-5.0	链夹 5.0	Carrier Clip 2.5/5.0mm			
3	3800-12-LTZH-03-3.5	链夹 3.5	Carrier Clip 3.5			
3	3800-12-LTZH-03-2.5	链夹 2.5	Carrier Clip 2.5			



Feeder Assembly- Contact tip Assembly

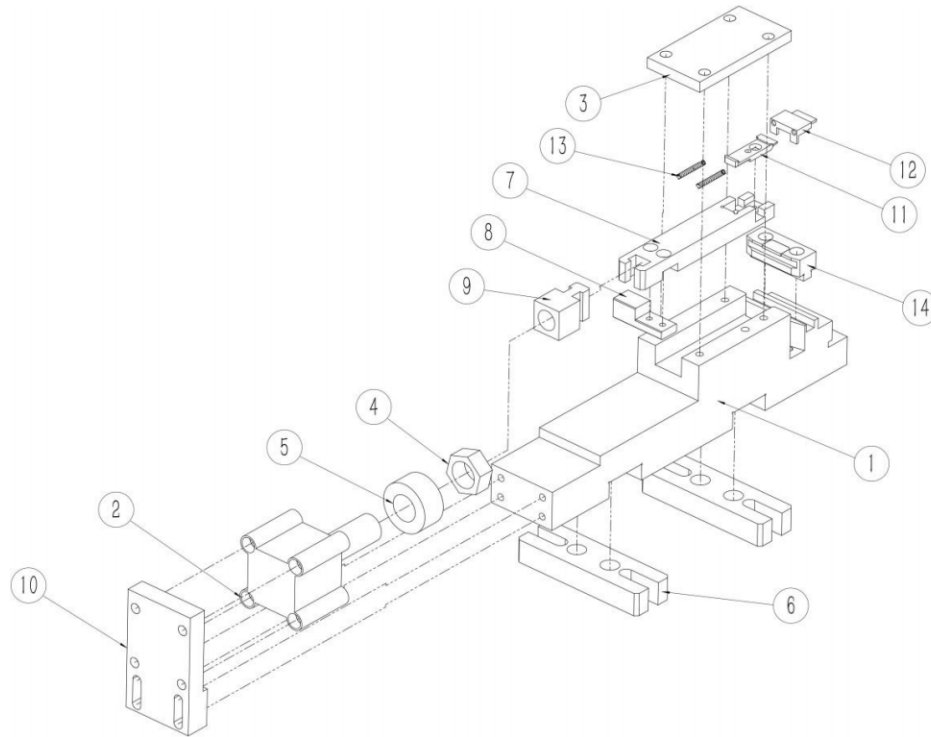
[Top](#)

Item	P/N	Chinese Name	English Name	Country	Price	Picture
1	3800-12-JQBBF-01	气分配管	Gas distribution tube			
2	3800-12-JQBBF-02	汽管接头 PC10-01	Steam pipe fittings			
3	3800-12-JQBBF-03	18 优力胶垫圈	Uniglue gasket			
4	3800-12-JQBBF-04	两通管尾部螺丝	Two-way tube tail screw			
5	3800-12-JQBBF-05	气管封板	Tracheal sealing plate			
6	3800-12-JQBBF-06	航空接头	Aviation connectors			
7	3800-12-JQBBF-07	汽管接头 PC12-3	Steam pipe fittings			



Cutter Assembly

Top



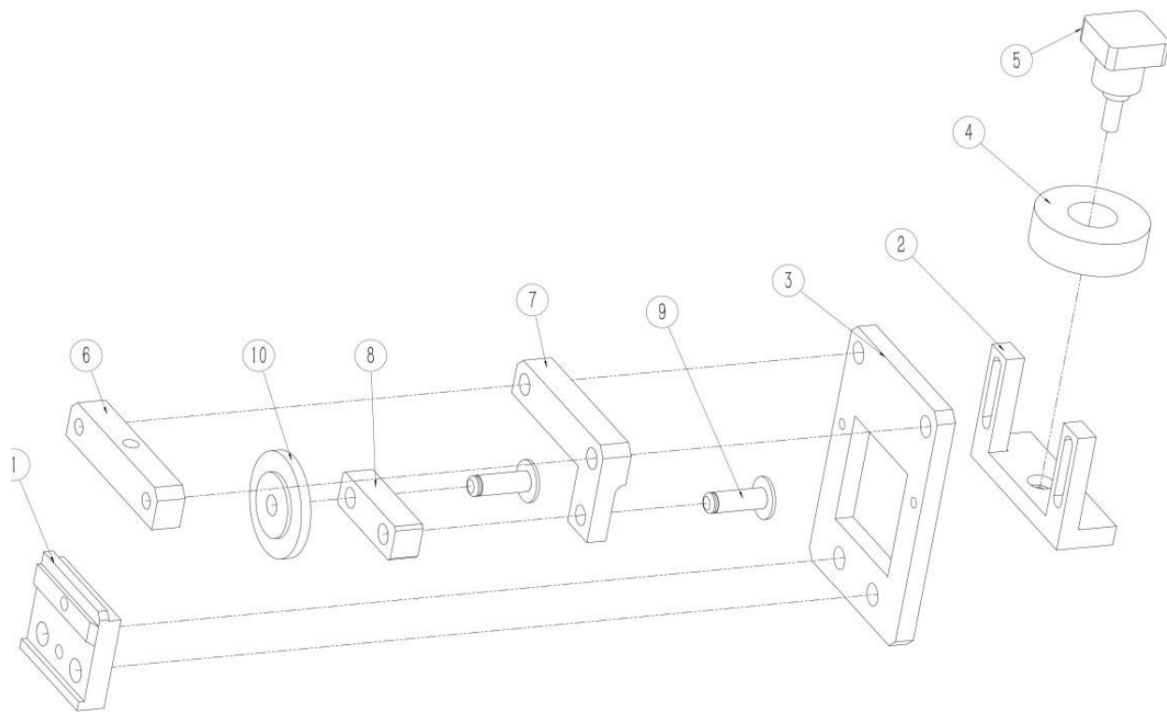
Cutter Assembly-Cut  
Part A

[Top](#)

Item	P/N	Chinese Name	English Name	Country	Price	Picture
1	3800-12-JZ-ABF-01	底座	Base			
2	3800-12-JZ-ABF-02	气缸	Cylinder			
3	3800-12-JZ-ABF-03	Cutter座盖 2	Paper cutout seat cover 2			
4	3800-12-JZ-ABF-04	M16 螺母	M16 nut			
5	3800-12-JZ-ABF-05	胶圈	Rubber rings			
6	3800-12-JZ-ABF-06	零件 3	Part 3			
7	3800-12-JZ-ABF-07	Cutter滑块	Slider			
8	3800-12-JZ-ABF-08	Cutter刀感应器安装块	Sensor mounting block			
9	3800-12-JZ-ABF-09	Cutter气缸连接块 1	Cylinder connection block			
10	3800-12-JZ-ABF-10	Cutter气缸安装块	Cylinder mounting block			



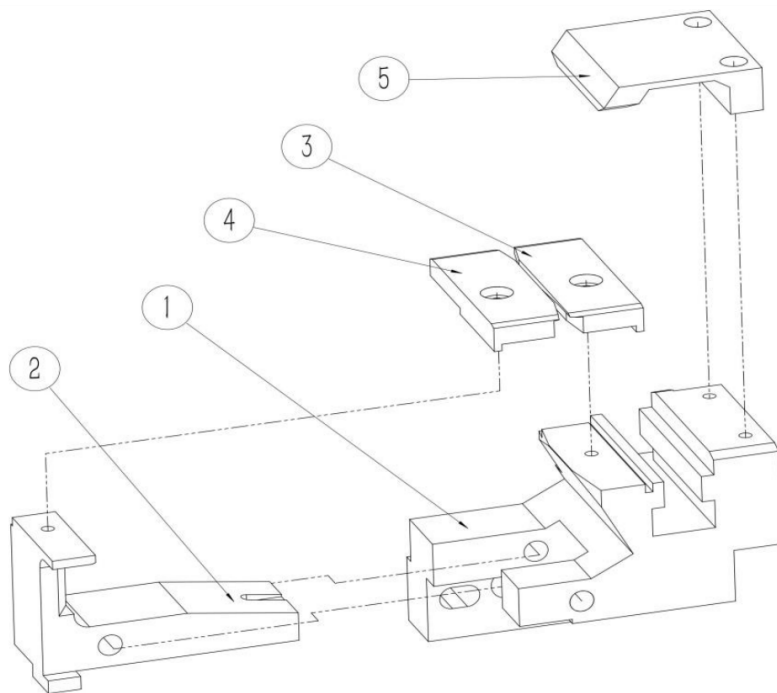
Item	P/N	Chinese Name	English Name	Country	Price	Picture
11	3800-12-JZ-ABF-11	10.0mm 小切刀	Small cutter			
12	3800-12-JZ-ABF-12	弯型推叉	Curved push fork			
13	3800-12-JZ-ABF-13	平叉弹簧	Flat fork spring			
14	3800-12-JZ-ABF-14	切纸固定刀	Fixed knife			



Cutter Assembly-Cut  
Part B

[Top](#)

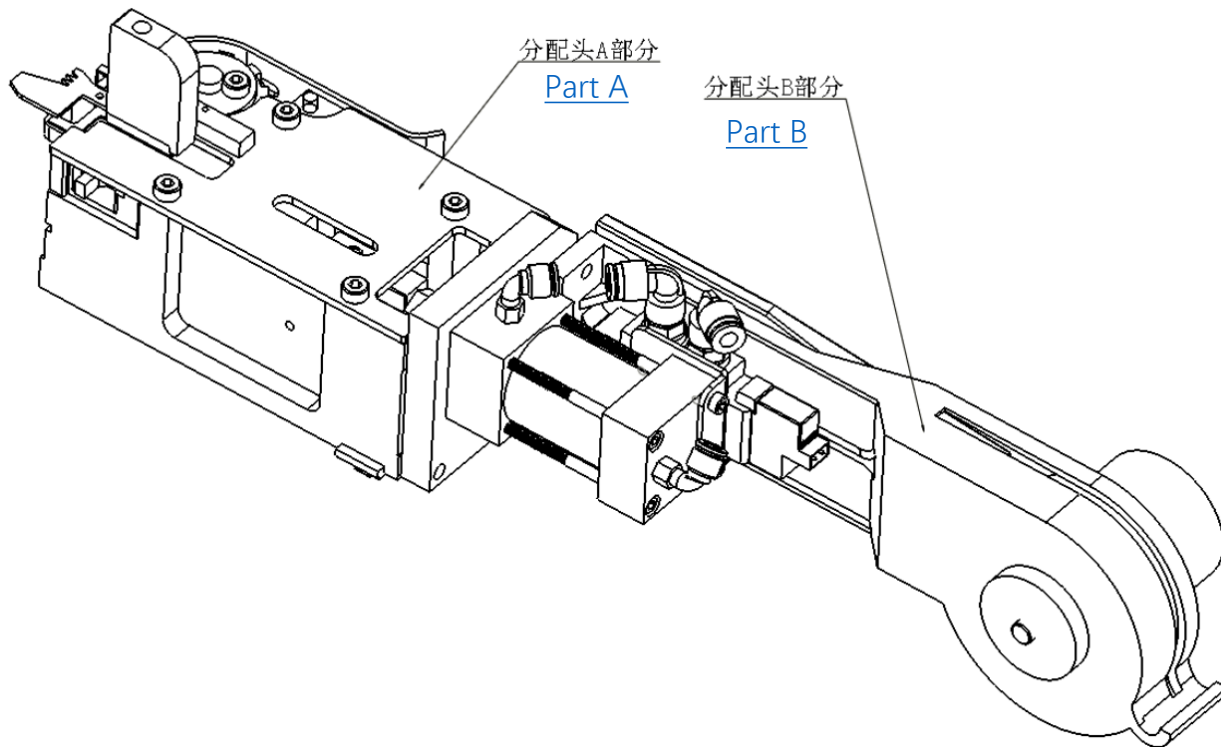
Item	P/N	Chinese Name	English Name	Country	Price	Picture
1	3800-12-JZ-BBF-01	零件 1-1	Parts 1-1			
2	3800-12-JZ-BBF-02	轴承安装板	Bearing mounting plates			
3	3800-12-JZ-BBF-03	轴承固定板	Bearing fixing plates			
4	3800-12-JZ-BBF-04	6202Z 轴承	6202Z Bear			
5	3800-12-JZ-BBF-05	轴承定位块	Bearing positioning blocks			
6	3800-12-JZ-BBF-06	零件 9	Part 9			
7	3800-12-JZ-BBF-07	零件 13	Part 13			
8	3800-12-JZ-BBF-08	零件 2	Part 2			
9	3800-12-JZ-BBF-09	塑料销	Plastic pins			
10	3800-12-JZ-BBF-10	塑料块	Plastic blocks			



Cutter Assembly-Cut  
Part C

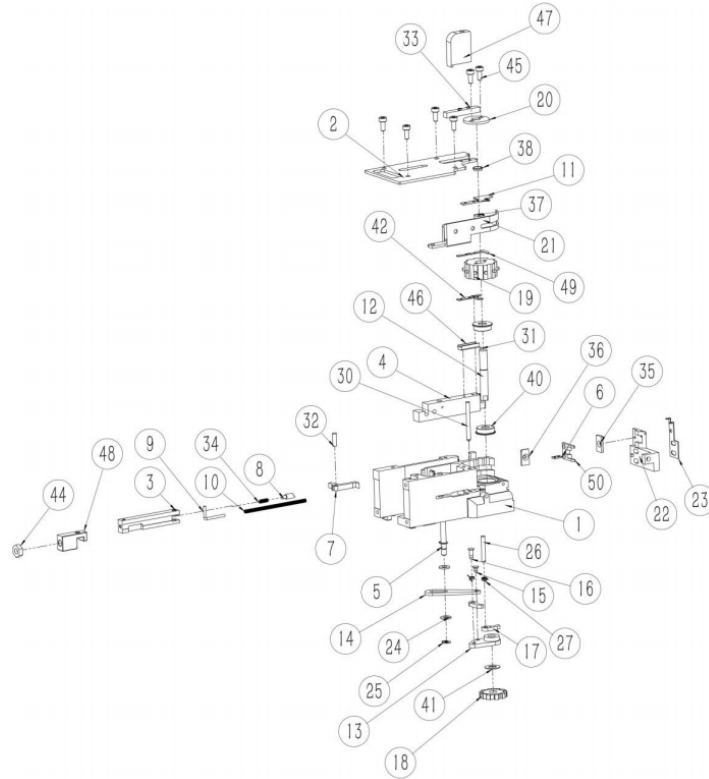
[Top](#)

Item	P/N	Chinese Name	English Name	Country	Price	Picture
1	3800-12-JZ-CBF-01	拉纸配件 1	Pulling fittings 1			
2	3800-12-JZ-CBF-02	拉纸配件 2	Pulling fittings 2			
3	3800-12-JZ-CBF-03	拉纸刀 2	Pull knife 2			
4	3800-12-JZ-CBF-04	拉纸刀 1	Pull knife 1			
5	3800-12-JZ-CBF-05	链夹压紧板	Chain clamp compression plate			



Allocator head Assembly

[Top](#)



Allocator head Assembly-Allocator head Part A

[Top](#)

Item	P/N	Chinese Name	English Name	Country	Price	Picture
1	3800-12-FPT-ABF-01	分配头本体	Assign the head body			
2	3800-12-FPT-ABF-02	分配头盖片	Dispense the head cap			
3	3800-12-FPT-ABF-03	导向块 1	Guide block 1			
4	3800-12-FPT-ABF-04	送料滑块	Feed slider			
5	3800-12-FPT-ABF-05	传动杆 2	Drive rod 2			
6	3800-12-FPT-ABF-06	纸带垫片	Paper tape gasket			
7	3800-12-FPT-ABF-07	勾料抓	Hook material grab			
8	3800-12-FPT-ABF-08	弹性顶柱	Elastic top column			
9	3800-12-FPT-ABF-09	弯曲销钉	Bend the pins			
10	3800-12-FPT-ABF-10	小弹簧	Small spring			

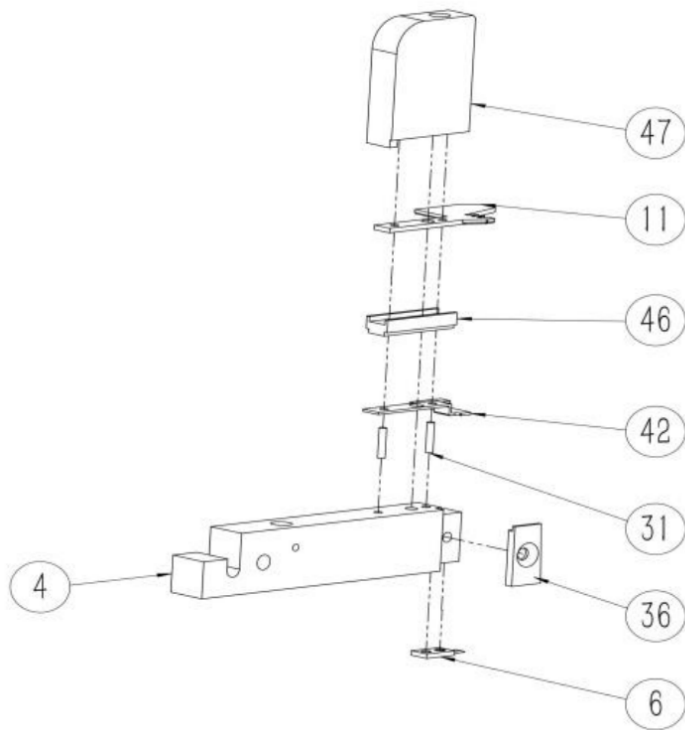


Item	P/N	Chinese Name	English Name	Country	Price	Picture
11	3800-12-FPT-ABF-11	叉型推片	Pusher Upper			
12	3800-12-FPT-ABF-12	传动杆 1	Drive rod 1			
13	3800-12-FPT-ABF-13	送料齿轮滑块	Feed gear slider			
14	3800-12-FPT-ABF-14	滑动片	Slide tabs			
15	3800-12-FPT-ABF-15	传动销钉 1	Drive pin 1			
16	3800-12-FPT-ABF-16	传动销钉 2	Drive pin 2			
17	3800-12-FPT-ABF-17	棘爪	pawl			
18	3800-12-FPT-ABF-18	送料齿轮	Feeding gear			
19	3800-12-FPT-ABF-19	分料轮	Splitting wheel			
20	3800-12-FPT-ABF-20	压盖	Gland			

Item	P/N	Chinese Name	English Name	Country	Price	Picture
21	3800-12-FPT-ABF-21	送料挡片	Feed stopper			
22	3800-12-FPT-ABF-22	切刀安装块	Cutter mounting block			
23	3800-12-FPT-ABF-23	站位感应挡片	Stand sensing barriers			
24	3800-12-FPT-ABF-24	垫片 1	Gasket 1			
25	3800-12-FPT-ABF-25	卡弹 1	Snap bullet 1			
26	3800-12-FPT-ABF-26	弹簧插销 1	Spring latch 1			
27	3800-12-FPT-ABF-27	弹簧 5	Spring 5			
28	3800-12-FPT-ABF-28	感应片定位销	Sensor plate dowel pins			
29	3800-12-FPT-ABF-29	感应铜片	Induction copper sheet			
30	3800-12-FPT-ABF-30	传动销钉 4	Drive pin 4			

Item	P/N	Chinese Name	English Name	Country	Price	Picture
31	3800-12-FPT-ABF-31	挡片定位销	Retaining dowel pins			
32	3800-12-FPT-ABF-32	传动销钉 6	Drive pin 6			
33	3800-12-FPT-ABF-33	检测板	Inspection plates			
34	3800-12-FPT-ABF-34	弹簧 6	Spring 6			
35	3800-12-FPT-ABF-35	纸带切刀	Paper tape cutter			
36	3800-12-FPT-ABF-36	滑动切刀	Slide cutter			
37	3800-12-FPT-ABF-37	开口外垫圈	Open outer gasket			
38	3800-12-FPT-ABF-38	开口内垫圈	Open inner gasket			
39	3800-12-FPT-ABF-39	弹簧 7	Spring 7			
40	3800-12-FPT-ABF-40	轴承 FR62	Bear FR62			

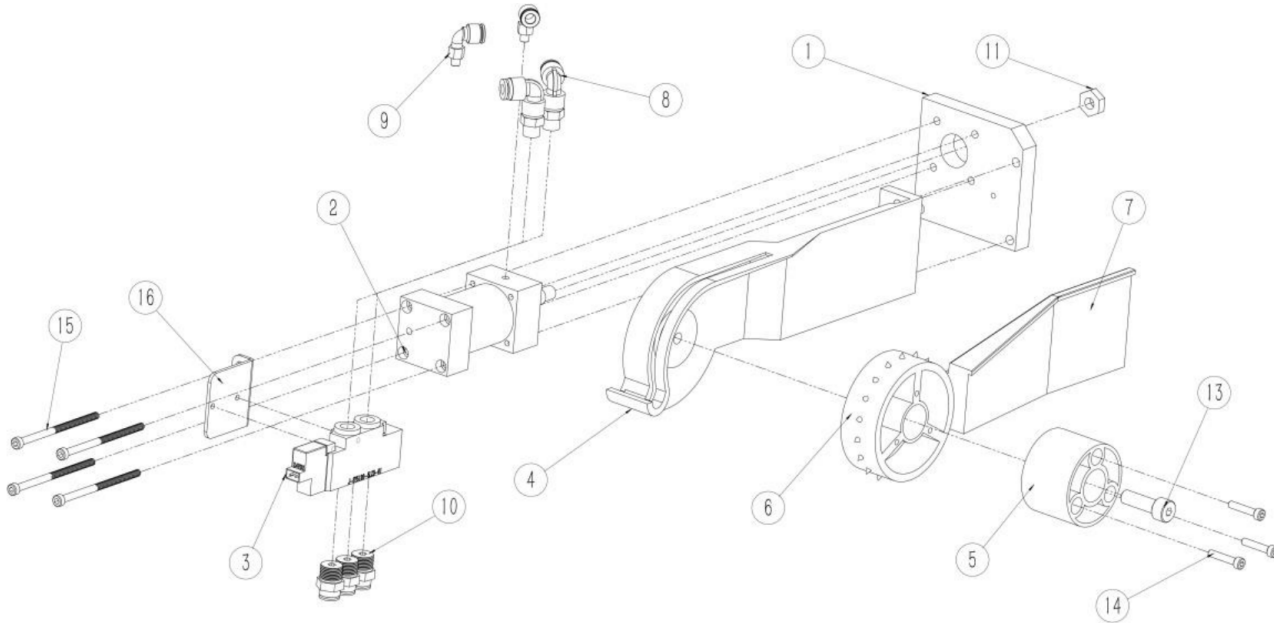
Item	P/N	Chinese Name	English Name	Country	Price	Picture
41	3800-12-FPT-ABF-41	铜垫圈	Copper washers			
42	3800-12-FPT-ABF-42	弯型推片	Curved push tabs			
43	3800-12-FPT-ABF-43	卡弹 2	Snap 2			
44	3800-12-FPT-ABF-44	气缸螺母 (M8)	Cylinder nut(M8)			
45	3800-12-FPT-ABF-45	M5X12 螺丝	M5X12 screws			
46	3800-12-FPT-ABF-46	送料感应挡片座	Feed-sensing retaining bracket			
47	3800-12-FPT-ABF-47	送料感应挡片座 A	Feed-sensing retaining bracket A			
48	3800-12-FPT-ABF-48	气缸连接块	Cylinder connection block			
49	3800-12-FPT-ABF-49	铜片	Copper sheets			
50	3800-12-FPT-ABF-50	盖片	Cover sheets			



推片

[Top](#)

Item	P/N	Chinese Name	English Name	Country	Price	Picture
4	3800-12-FPT-ABF-04	送料滑块	Feed slider			
6	3800-12-FPT-ABF-06	纸带垫片	Paper tape gasket			
11	3800-12-FPT-ABF-11	叉型推片	Fork pusher			
31	3800-12-FPT-ABF-31	挡片定位销	Retaining dowel pins			
36	3800-12-FPT-ABF-36	滑动切刀	Slide cutter			
42	3800-12-FPT-ABF-42	弯型推片	Curved push tabs			
46	3800-12-FPT-ABF-46	送料感应挡片座	Feed-sensing retaining bracket			
47	3800-12-FPT-ABF-47	送料感应挡片座 A	Feed sensing block holder A			



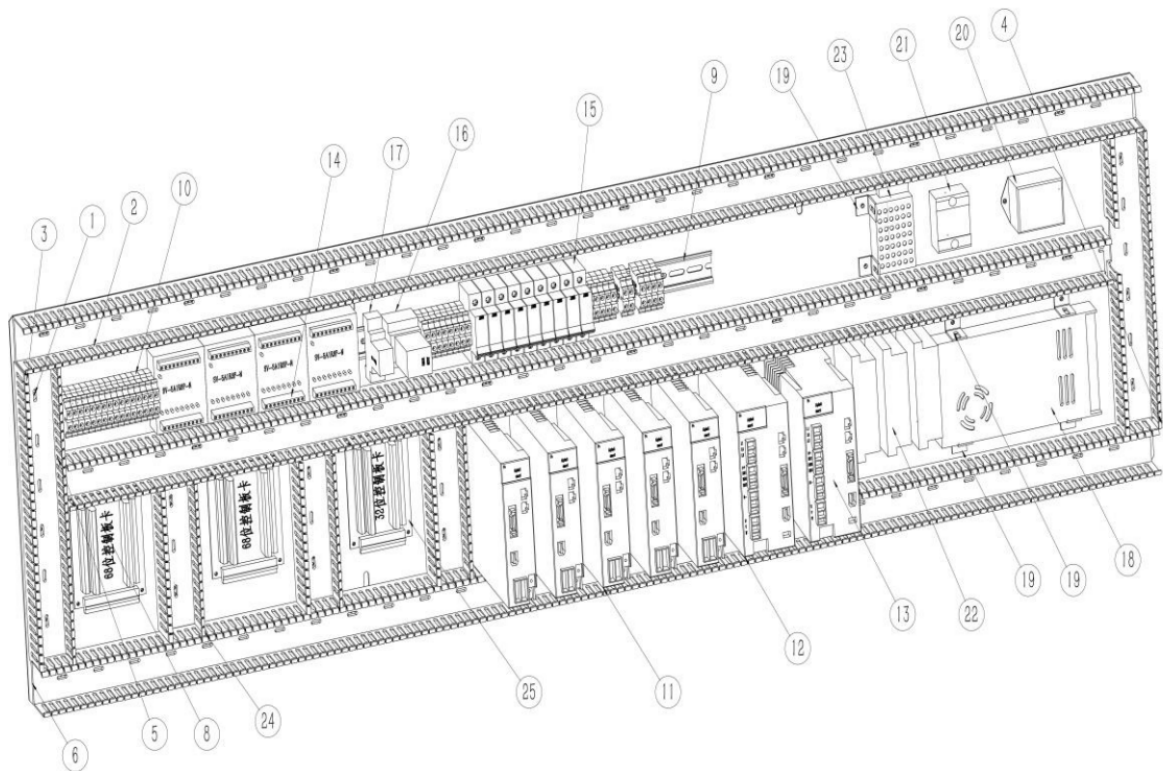
Allocator head Assembly-Part B

[Top](#)

Item	P/N	Chinese Name	English Name	Country	Price	Picture
1	3800-12-FPT-BBF-01	分配头汽缸安装板	Dispensing head cylinder mounting plate			
2	3800-12-FPT-BBF-02	分配头气缸 A	Dispensing head cylinder A			
3	3800-12-FPT-BBF-03	电池阀	Battery valve			
4	3800-12-FPT-BBF-04	塑料纸带导引座	Plastic paper tape guide seat			
5	3800-12-FPT-BBF-05	纸带导引轮 1	Paper tape seeker 1			
6	3800-12-FPT-BBF-06	纸带导引轮	Paper tape seeker			
7	3800-12-FPT-BBF-07	塑料纸带导引座1	Plastic paper tape guide 1			
8	3800-12-FPT-BBF-08	汽管接头	Steam pipe fittings			
9	3800-12-FPT-BBF-09	汽管接头 1	Steam pipe fittings 1			
10	3800-12-FPT-BBF-10	汽管接头 2	Steam pipe fittings 2			



Item	P/N	Chinese Name	English Name	Country	Price	Picture
11	3800-12-FPT-BBF-11	气缸螺母 (M8)	Cylinder nut(M8)			
12	3800-12-FPT-BBF-12	M8X 螺丝垫片	M8 screw gasket			
13	3800-12-FPT-BBF-13	M8X25 螺丝	M8X25 screws			
14	3800-12-FPT-BBF-14	M4X20 螺丝	M4X20 screws			
15	3800-12-FPT-BBF-15	M4X70 螺丝	M4X70 screws			
16	3800-12-FPT-BBF-16	电磁阀固定块	Solenoid valve fixing block			



Wiring Board

[Top](#)

Item	P/N	Chinese Name	English Name	Country	Price	Picture
1	3800-12-BXB-01	立式前布线板	Vertical front wiring board			
2	3800-12-BXB-02	线槽 1540	Trunking 1540			
3	3800-12-BXB-03	线槽 330	Trunking 330			
4	3800-12-BXB-04	线槽 330-2	Trunking 330-2			
5	3800-12-BXB-05	线槽 1243	Trunking 1243			
6	3800-12-BXB-06	线槽 1540-2	Trunking 1540-2			
7	3800-12-BXB-07	线槽 178	Trunking 178			
8	3800-12-BXB-08	68 位接线板	68-bit terminal block			
9	3800-12-BXB-09	固定槽	Fixed slots			
10	3800-12-BXB-10	接线端子	Terminal blocks			

Item	P/N	Chinese Name	English Name	Country	Price	Picture
11	3800-12-BXB-11	400W 伺服器	400W server			
12	3800-12-BXB-12	750W 伺服器	750W server			
13	3800-12-BXB-13	1.5KW 伺服器-TAID	1.5KW Server-TAID			
14	3800-12-BXB-14	SV-5A1R8P-N	SV-5A1R8P-N			
15	3800-12-BXB-15	CHNT 开关 C10	CHNT switch C10			
16	3800-12-BXB-16	OMRON MKS3P	OMRON MKS3P			
17	3800-12-BXB-17	G2R-1-SN(S)	G2R-1-SN(S)			
18	3800-12-BXB-18	24V 电源	24V power supply			
19	3800-12-BXB-19	24V 电源固定座	24V power supply holder			
20	3800-12-BXB-20	滤波器 220V	Filter 220V			

Item	P/N	Chinese Name	English Name	Country	Price	Picture
21	3800-12-BXB-21	固态继电器	Solid state relays			
22	3800-12-BXB-22	驱动器 DM542C	Drive DM542C			
23	3800-12-BXB-23	12VNW 电源	12VNW power supply			
24	3800-12-BXB-24	线槽 168	Trunking 168			
25	3800-12-BXB-25	32 位接线板	32-bit terminal block			

Please visit

[www.smthelp.com](http://www.smthelp.com)

Find us more

<https://www.facebook.com/autoinsertion>

Know more our team

<https://cn.linkedin.com/in/smtsupplier>

Welcome to our factory in Shenzhen China

See more machine working video, please Youtube

[Auto Insertion](#)

Google

Auto+insertion, to get more informations

Looking forward to your email

[info@smthelp.com](mailto:info@smthelp.com)